



INSTALLATION INSTRUCTIONS

RIGID REFLECT



PRODUCT INCLUDES:

- (1) Reflect Mirror – Driver
- (1) Reflect Mirror – Passenger
- (2) Bar Clamp
- (2) Rubber Clamp Pad
- (4) 5/16-18 X 1.25" Stainless Steel Socket Head Screw
- (4) Stainless Steel Washer

IMPORTANT

THANK YOU FOR PURCHASING RIGID INDUSTRIES' PRODUCTS FOR YOUR VEHICLE.
Please read through all of these Instructions and tips before proceeding with the installation.
We do our best to provide a simple installation process for all applications however a professional installation is always recommended.

****Important** The Reflect was designed to operate from 9V DC-32V DC only. Using this product on a 32V DC system or higher will cause permanent damage to electrical components.**

FUSE REQUIREMENT

Minimum 3A per lamp. 10A recommended for the lamp set.

MOUNTING

RIGID Reflect clamp will mount to either 1.75" or 2.00" tubing. Same hardware is used for either.

CLAMP BOLTS

Do not tighten clamp bolts beyond 150 in-lbs.

ROTATION BOLTS

Do not tighten rotation bolt inside clamp beyond 45 in-lbs.

BEZEL BOLTS

Bezel can be removed for powder coating. Upon reassembly, do not tighten bezel bolts beyond 5in-lbs.

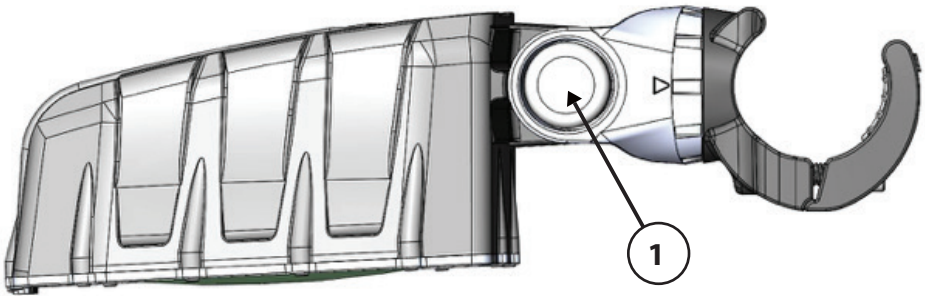
AIMING THE LIGHT

RIGID Reflect is intended to provide "peripheral" or "trail" lighting. When properly mounted on your vehicle, the center of the light beam should be aimed approximately 20 degrees from forward.

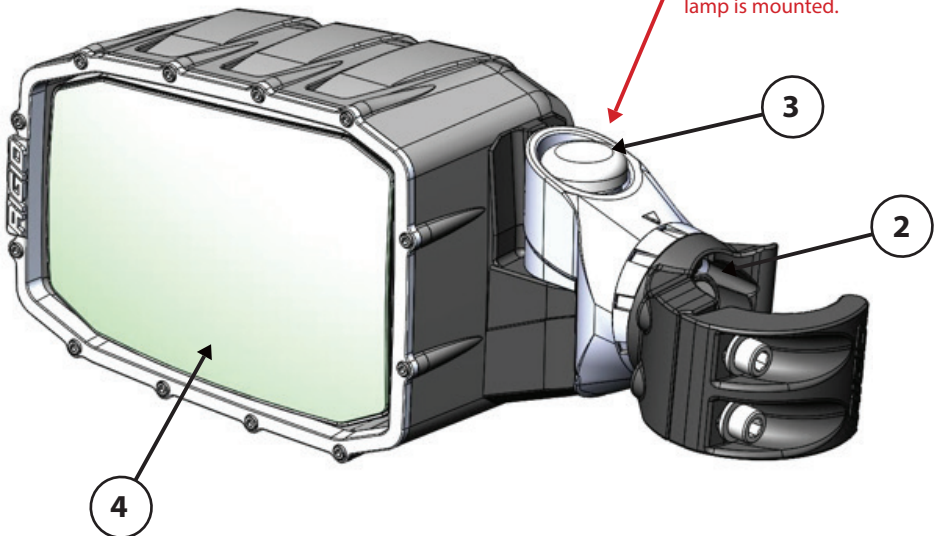
Mounting

The RIGID Reflect has been designed to support the independent aiming of both the mirror and the lamp, so you can point the light where you want it and then adjust the mirror for optimal field of view from the driver seat. There are four adjustment features:

1. Move the body forward/backward by pivoting on the break-away joint.
2. Rotate the body by loosening bolt on mount base & turning.
3. Tilt the body up or down by loosening the bolt on the mount base and rotating the wedge-washer.
4. Adjust the position of the glass mirror within the body by pressing on the corners of the mirror.
Maximum adjustment in any direction is 10 degrees.

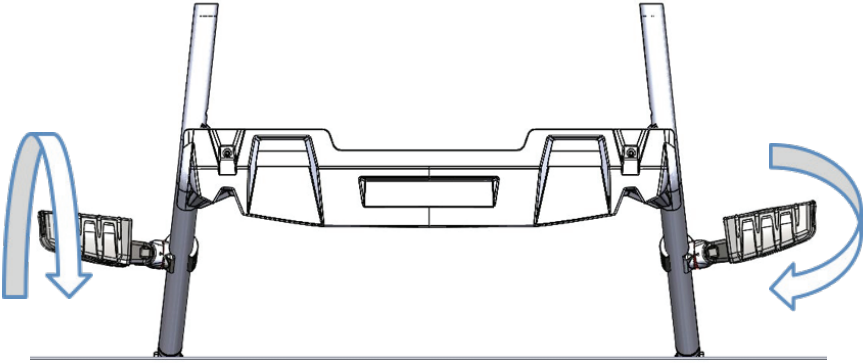


Note: This cap should be pointed downward when the lamp is mounted.

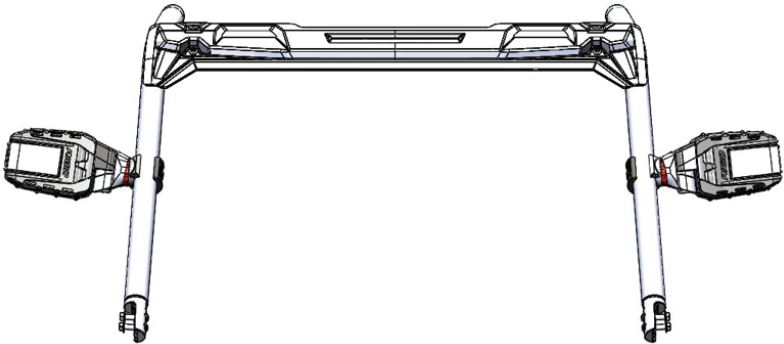


MIRROR ADJUSTMENTS

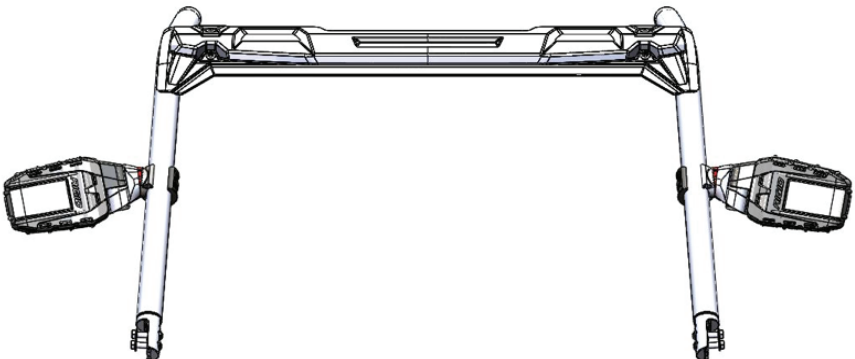
Once you have adjusted the mirror to mount in the location you want on your roll cage, tighten the clamp bolts to a maximum torque of 150 in-lbs. Use the provided rubber mount pads to prevent slippings.



Rotate mirror body and adjust the forward/backward sweep of the break-away joint.



Reflect mounted on UTV cage with Wedge Washer in maximum upward tilt position.

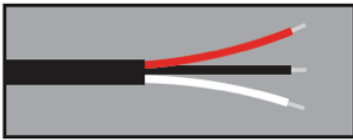
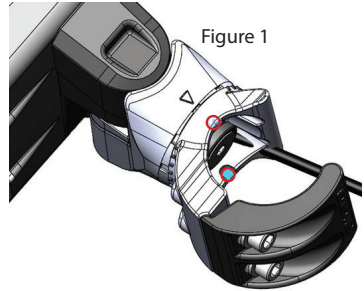


Reflect mounted on UTV cage with Wedge Washer in maximum downward tilt position.

Wiring

****Always disconnect battery terminals before servicing the electrical system****

- Wires can be run externally or inside role cage tube. If running wire externally, drill out the knock-out tab in the side of the clamp with a 1/4" drill bit to create a pathway for the wire. See Figure 1
- When routing cable, avoid any sharp or abrasive surfaces. Use a grommet or wire sheathing as needed to protect cable.
- If using existing wiring, make sure you have appropriate fuses to support the Reflect.



Red Wire (+12) = Forward Projecting Light

Black Wire = Ground

White Wire (+12v) = Amber Turn Indicator

Maintenance

The "core" or light engine on your Rigid Reflect is IP68/IP69K sealed – so no worries when it comes to water intrusion when washing your vehicle. There are vents in the outer housing which are intended to allow air to flow to the internal heat sink when your vehicle is in motion. These vents can also allow dirt, dust, leaves or whatever else into the housing. Periodically blow or rinse out the inside of the mirror through the vents or gaps around the perimeter of the glass.

Turn Indicator Setup

You may want to use the amber LED's on the Rigid Reflect as turn indicators. To do this, you will need an in-line flasher and 3-position switch (or 2 independent switches for left & right).

Glass Replacement

The Rigid Reflect has a convex glass mirror – which is susceptible to cracking if hit by a rock. If you crack your glass, you can order a replacement glass assembly from Rigid.

**Your installation is now complete.
Welcome to the Rigid Nation!**

Learn more about off-road lights we have.