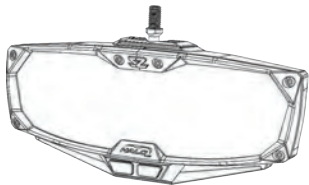


18019,18020,18021,18022,18023 INSTALLATION MANUAL

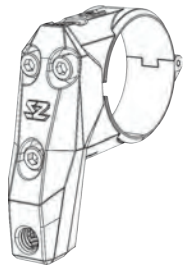
PARTS LIST

- A - Mirror Assembly
- B - Round Tube Clamp
- C - Pro-Fit Ranger Clamp
- D - Can Am X3 Clamp
- E - Can Am Defender Clamp

A - Mirror Assembly



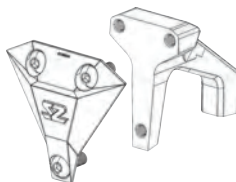
B - Round Tube Clamp



C - Pro-Fit Ranger Clamp



D - Can Am X3 Clamp

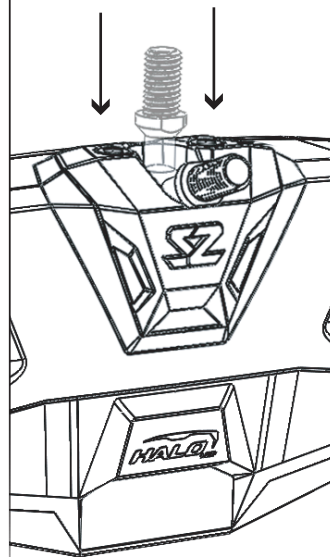


E - Can Am Defender Clamp



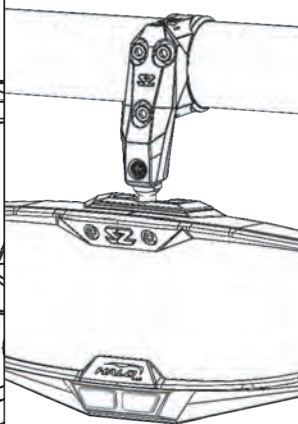
STEP 1

Use these bolts to adjust tension on the ball joint. Clockwise turn will increase tension, counter-clockwise will decrease tension.



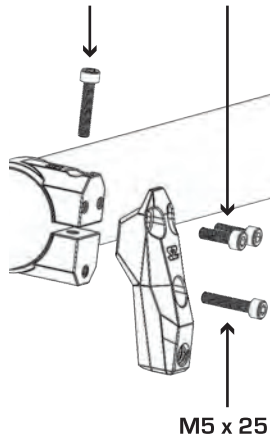
STEP 2 - Round Tube Cages - 18019, 18020

Unbolt the ball joint from the 2 clamp halves. Wrap the clamp halves around the tubing as shown and install M5x30 bolt to secure the 2 halves together. Use one remaining M5 bolts to attach the ball joint arm to the clamp halves. Install the ball joint and mirror onto the clamp. Adjust as necessary.



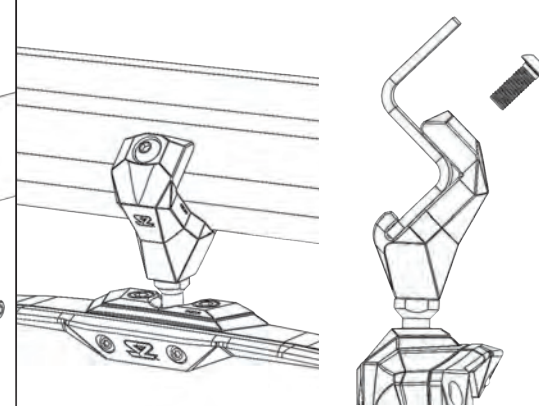
M5 x 25

M5 x 12



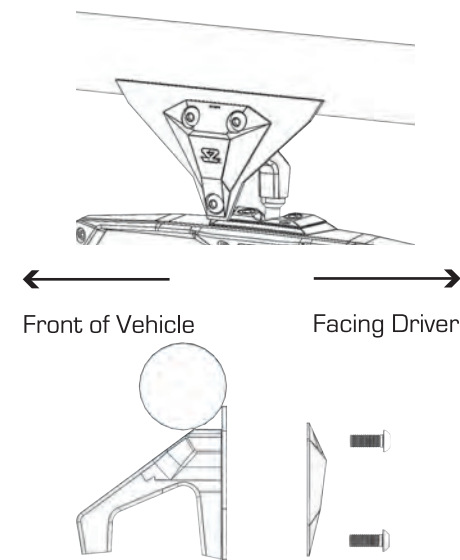
STEP 2 - Pro-fit Ranger - 18021

Attach the Ranger Pro-Fit mount to the header panel flange as shown. Tighten the M6-12mm button head bolt to secure the bracket and mirror to the header panel. Install the ball joint and mirror onto the clamp. Adjust as necessary.



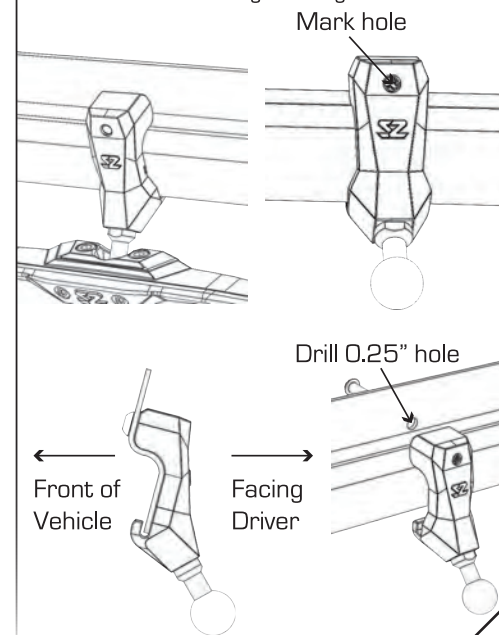
STEP 2 - Can Am Maverick X3 - 18022

Using the supplied M6x16mm button head bolts, install the badge onto the X3 mirror mounting plate facing the driver and the mirror ball joint arm facing toward the front of the vehicle as shown below. Install the ball joint and mirror onto the clamp. Adjust as necessary.



STEP 2 - Can Am Defender - 18023

Hold the bracket to the header panel as shown, using the hole in the top of the bracket as a guide. Mark and drill a 0.25" hole in the header panel for the top M6 button head bolt to go through.

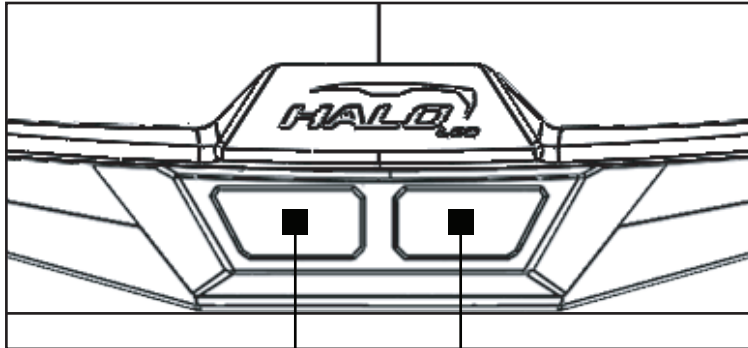


Looking for dependable frames and body? Rely on Seizmik for quality and long-lasting products.

18019,18020,18021,18022,18023
LIGHT OPERATION GUIDE

OVERVIEW

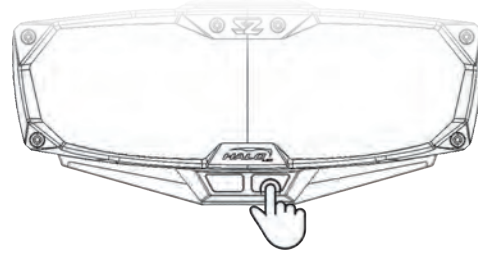
Halo LED Rearview mirror has 2 sets of lights.



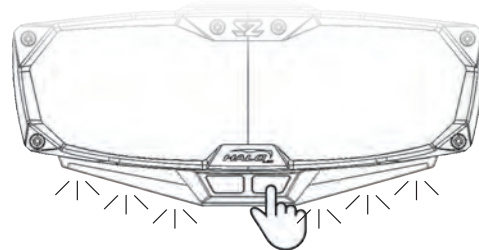
The left button controls the center COB white light that provides a hi/low setting

The right button controls the RGB lights. Users can set which color the right button controls Red, Green, or Blue. Follow next procedure to set the color.

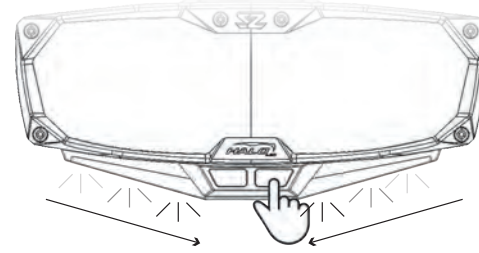
1. Press and hold for 3 seconds to enter programming mode.
- do not release the button.



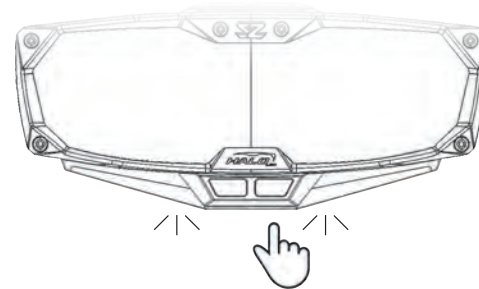
2. All RGB lights will flash twice to indicate user is in program mode
- continue to hold the button down.



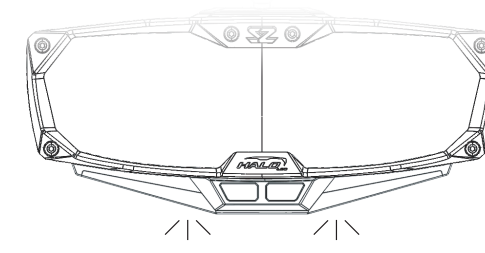
3. Then each color light will start cycling - continue to hold the button down.



4. When the color light you want to select lights up - release the right button



5. Once button is released, the selected color will flash twice to indicate that color has been set.



6. From this point on, when you press the right button the color you chose will be what comes on

7. To control intensity simply press the button once and the light will come on low, press the button again and the light come on high, press again and it will shut off

8. To change which color you want to set, simply repeat the programming procedure



Scan the code above for operation guide video