



Congratulations on your purchase of Sirius LEDs Pro Series lighting line. We've paid attention to all the details in hopes of providing you the highest quality light at an affordable price. Please note below, kit contents, wiring instructions, replacement parts lists and warranty information.

**Kit Contents:**

Item	Description	Quantity
1	Double Row LED Light or Curved Double Row LED Light	1
2	Mounting brackets and Stainless Steel hardware (affixed to light)	2
3	12' wiring harness with LED switch, fuse, relay and battery terminals	1



**Installation:**

- **LED Light Mounting:**
  - **Mounting LED Light Bar to a Flat Surface (ie. Bumper, roof top, trailer, boat deck, etc)**
    - Included in your kit are aluminum brackets that enable you to mount your light bar on a flat surface. In many cases, mounting in this way requires drilling two holes to attach the base of the brackets to the desired surface. Given the variety of mounting surfaces

and material thicknesses, 1/4" hardware needs to be acquired at the correct length to secure the brackets to the surface.

- **Mounting LED Light Bar to a Roll Cage (ie. Bumper tubing, Pillar supports, Cross Bars, etc)**
  - This type of mounting requires a tube clamp (not included in your kit) that is designed to fit the diameter of your roll cage.



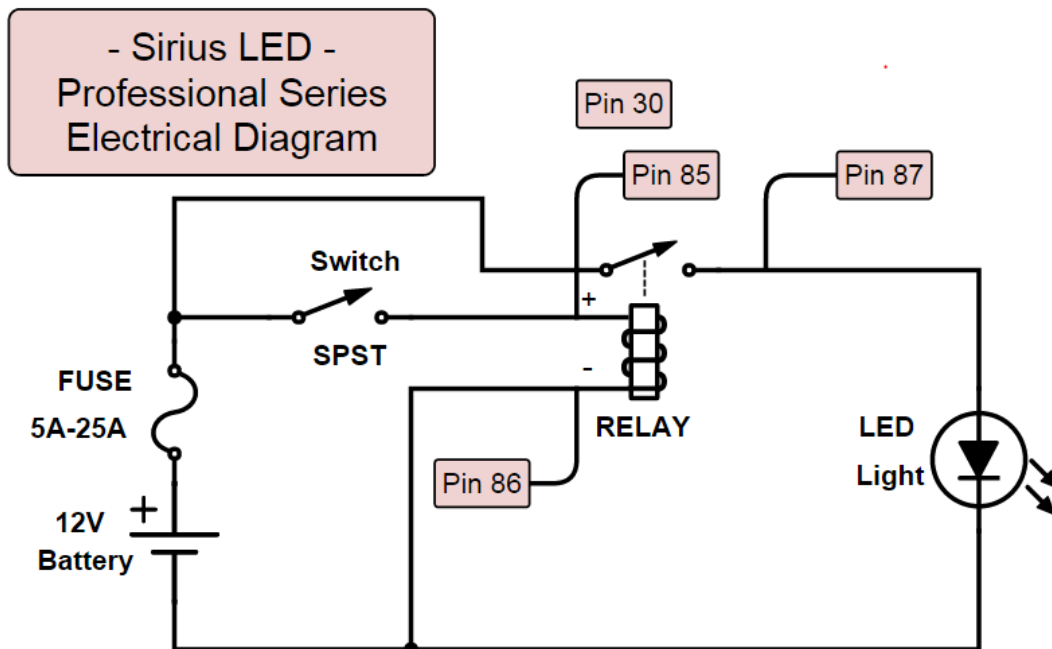
- **Mounting 2" Dually Light**
  - The 2" LED Lights have a single 5/16" bolt that protrudes from the bottom of the mounting bracket. This bolt can be used to mount the light to any flat surface or tube clamp with a 5/16" hole in it.

- **Wiring**

- **Harness Routing:**
  - All Sirius Pro Series lights come with a complete wiring harness that includes waterproof plug-and-play connectors. In most cases the easiest way to wire your light is to connect the Deutsch waterproof connector of the Pro Series light to the connector of the wiring harness. Route the cable toward the battery, keeping in mind that the switch leg needs to be routed to a location of your choosing. Once the wires are loosely routed, begin securing the wires to any fixed surface with zip ties or other wire management devices (Note: Stay clear of hot or sharp components).
- **Switch Installation:**
  - Each light comes standard with a toggle button switch. There are two upgrade options: A waterproof toggle option and a Dash Switch option that installs into the factory dashboard on nearly all UTV vehicles.



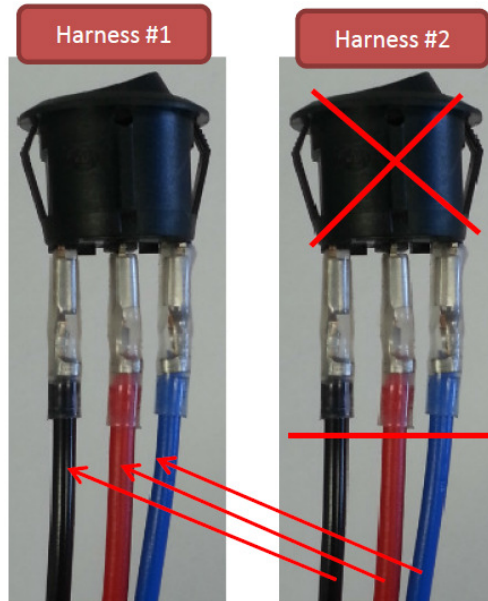
- Installation of the toggle switches requires drilling a 3/4" hole into the desired location. There is a keyway molded into the toggle switches, which keeps the switch from twisting after installation. A keyway channel needs to be cut into the 3/4" hole. If the mounting location is plastic, a razor blade can be used to notch the keyway. The Dash Switch can be installed into the OEM locations in almost all UTVs. Disconnect the terminals from the switch and route the three wires through the switch opening from the back side of the hole. Reattach the terminals in the same order as they were installed. Press the switch into the opening until it sits flush to the mounting surface.
    - **Mounting the Relay Switch**
      - The Relay Switch can be mounted to any stable surface using a zip tie or self threaded bolt (not included in the kit).
    - **Connecting to Battery**
      - **Note: Always Disconnect the Negative battery terminal from your battery before working on your vehicle's electrical system.**
      - Connect the Ring Terminal on the Red wire to the positive post of your battery. Connect the Ring Terminal on the Black wire to the negative post of your battery.
      - Test the operation of your LED light bar by activating the switch.
      - Ensure that all wires are securely fastened to the vehicle and all electrical connections are tightly connected.
    - **Electrical Schematic – Sirius Pro Series LED Light Bars**



Sirius Pro Series LED Light Electrical Schematic

- **Connecting Two Harnesses Into One Switch (Optional)**

- In some cases, more than one light may need to be controlled by a single switch. The easiest way to do this is to route each wiring harness to its appropriate light and then connect the two switch leads as shown below.



Step #1: Pull off switch head of one harness

Step #2: Cut wires as shown

Step #3: Splice corresponding wires together using quick connects or a soldering iron as shown. Wrap each wire connection with electrical tape.

Step #4: At this point, the switch from Harness #1 will control both relays on Harness #1 & Harness #2

