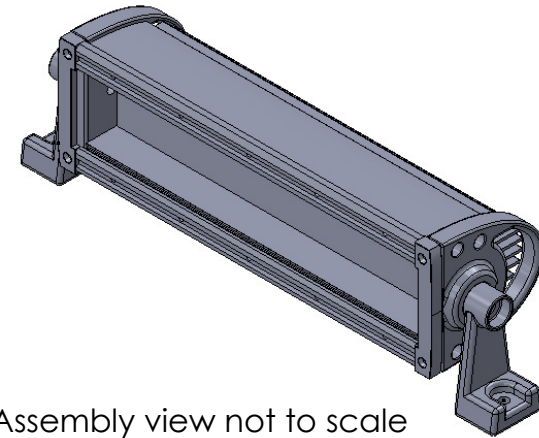
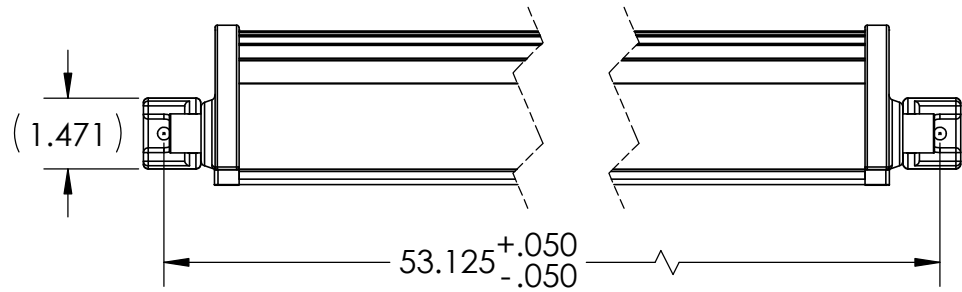
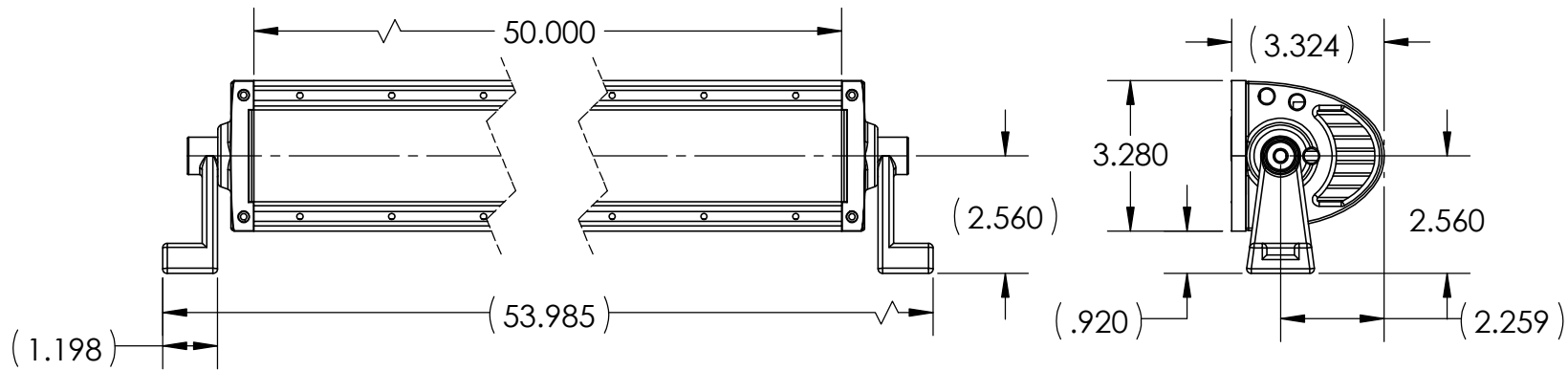


| Date | DESCRIPTION | Rev |
|----------|-----------------|-----|
| 8/2/2013 | INITIAL RELEASE | A |
| | | |
| | | |



* Assembly view not to scale



| Notes | | SIRIUS LED by MotoAlliance | |
|--|--|--------------------------------------|----------------------------|
| Finish: Mar/UV Resistant Paint | | TITLE: 50" Double Row Light Bar | |
| Material: Aluminum | | | |
| Unless Otherwise Specified: .XXX = 0.010 .XX = .015 .X = .03 XX° = +/- .05° X° = +/- .5° | PROPRIETARY AND CONFIDENTIAL THE INFORMATION CONTAINED IN THIS DRAWING IS THE SOLE PROPERTY OF MotoAlliance Inc. ANY REPRODUCTION IN PART OR AS A WHOLE WITHOUT THE WRITTEN PERMISSION OF MotoAlliance Inc. IS PROHIBITED. | SIZE A | DWG. NO. LED-D50 |
| | | REV A | SCALE: 1:4 SHEET 1 OF 1 |