



**ELEVATION FRONT BUMPER OVERLAY
2018+ POLARIS RANGER 1000/XP 1000
(OE FRONT BUMPER REQUIRED)**

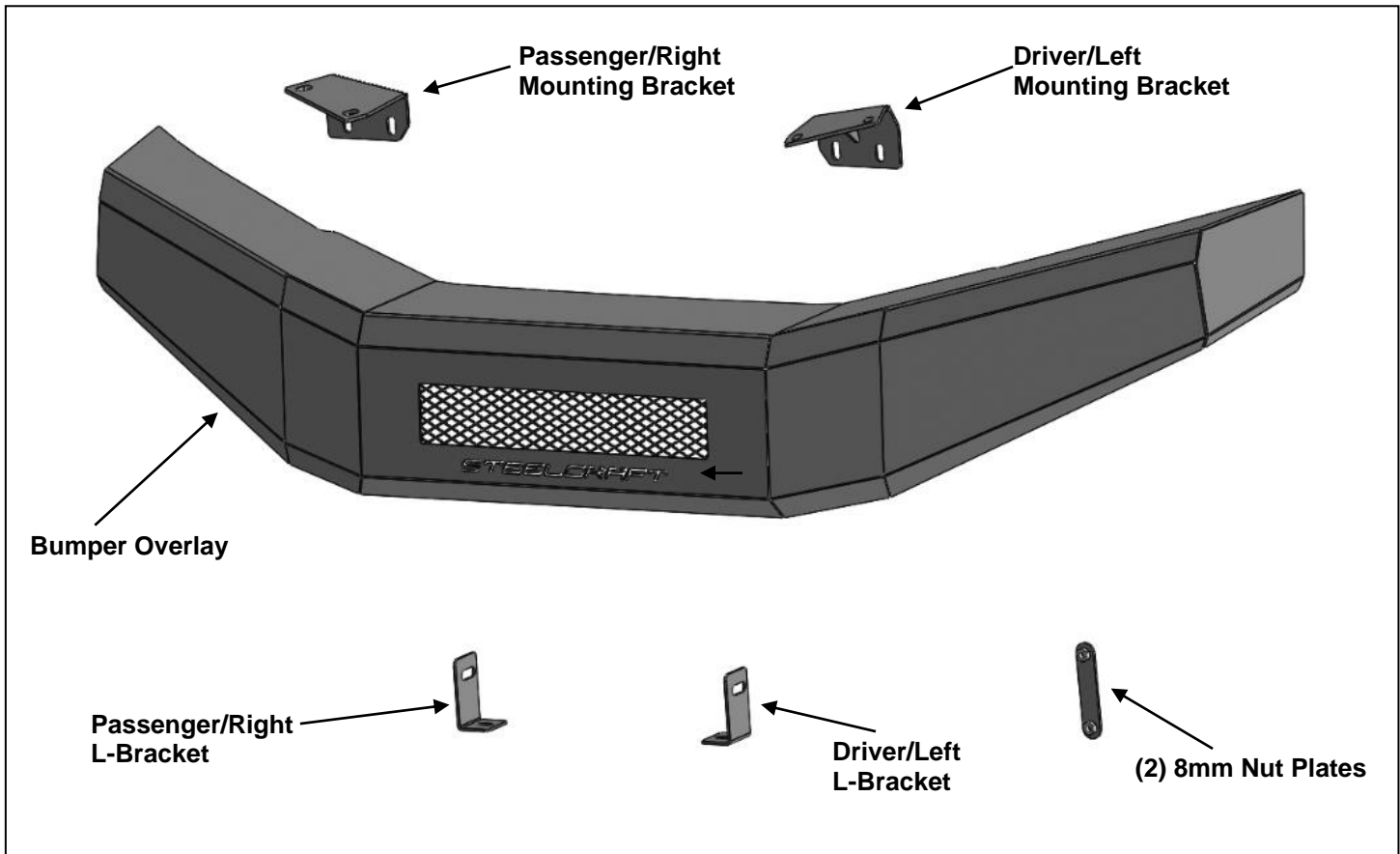
PRODUCT CAN ONLY BE INSTALLED WITH THE OEM BRUSH GUARD SHOWN BELOW:



**ELEVATION FRONT BUMPER OVERLAY
2018+ POLARIS RANGER 1000/XP 1000
(OE FRONT BUMPER REQUIRED)**

PARTS LIST:

1	Elevation Front Bumper Overlay	10	8mm x 25mm Hex Bolts
1	Driver/Left Mounting Bracket	2	8mm x 16mm Hex Bolts
1	Passenger/Right Mounting Bracket	18	8mm x 24mm OD x 2mm Flat Washers
1	Driver/Left L-Bracket	12	8mm Lock Washers
1	Passenger/Right L-Bracket	6	8mm Hex Nuts
2	8mm Double Nut Plates		



PROCEDURE:

REMOVE CONTENTS FROM BOX. VERIFY ALL PARTS ARE PRESENT. READ INSTRUCTIONS CAREFULLY BEFORE STARTING INSTALLATION. ASSISTANCE IS RECOMMENDED TO AVOID POSSIBLE INJURY OR DAMAGE TO THE VEHICLE.

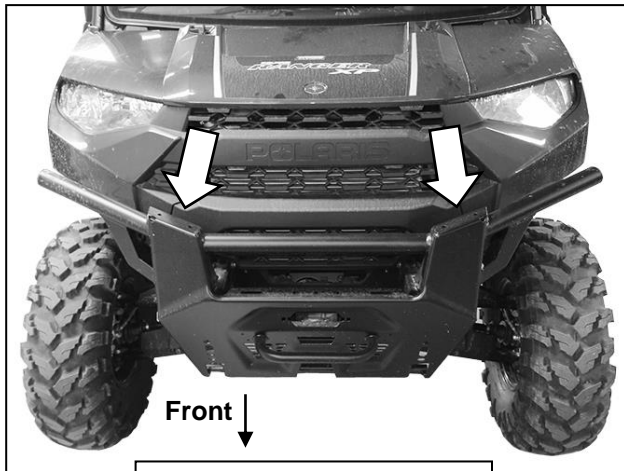
1. Move to the front of the vehicle. Remove previously installed product, if equipped, from the top of the bumper. Locate the upper mounting Locations, **(Figure 1)**.
2. Select the Driver/Left Mounting Bracket. Attach the Bracket to the Driver/Left mounting location with (2) 8mm x 25mm Hex Bolts, (2) 8mm Lock Washers, (2) 8mm Flat Washers and (1) 8mm Double Nut Plate, **(Figure 2)**. Do not tighten hardware at this time. Repeat this **Step** to attach the Passenger/Right Mounting Bracket.
3. **Determine if a Light Bar will be attached, (Light not included)**
 - a. Select the Driver/Left L-Bracket. Use the slots in the lower section of the OE bumper to attach the Bracket with (1) 8mm x 25mm Hex Bolt, (2) 8mm Flat Washers, (1) 8mm Lock Washer and (1) 8mm Hex Nut, **(Figures 3 & 4)**. Do not tighten hardware at this time.
 - b. Repeat **Steps 3a & 3b** to attach the Passenger/Right L-Bracket.
 - c. Select the Light Bar, (Light not included). Attach the Light to the Brackets with (2) 8mm x 16mm Hex Bolts, (2) 8mm Lock Washers and (2) 8mm Flat Washers, **(Figure 4)**.
 - d. Follow light manufacturer's instructions to properly wire the light.

**ELEVATION FRONT BUMPER OVERLAY
2018+ POLARIS RANGER 1000/XP 1000
(OE FRONT BUMPER REQUIRED)**

4. Select the Elevation Front Bumper Overlay. Attach the Bumper Overlay to the Mounting Brackets with (4) 8mm x 25mm Hex Bolts, (8) 8mm Flat Washers, (4) 8mm Lock Washers and (4) 8mm Hex Nuts, **(Figure 5)**. Do not tighten hardware at this time.
5. Level and adjust the Bumper overlay as needed and tighten all hardware
6. Do periodic inspections to the installation to make sure that all hardware is secure and tight.

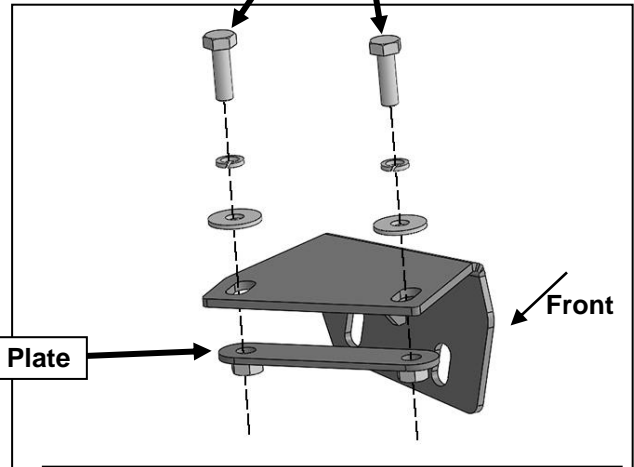
To protect your investment, Do not use any type of polish or wax that may contain abrasives that could damage the finish. Mild soap may be used to clean the Front Bumper assembly.

Driver/Left Side Installation Pictured

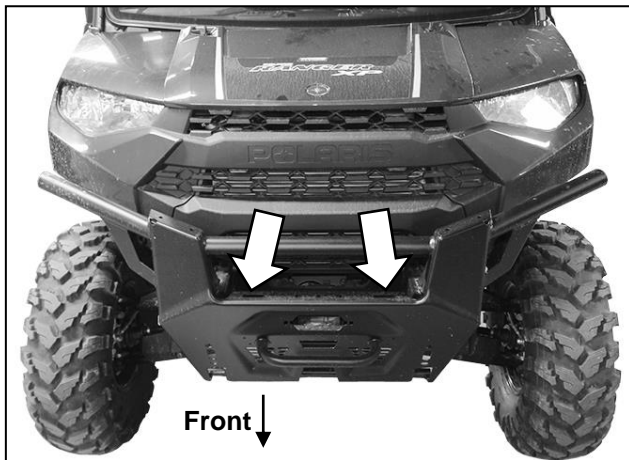


(Fig 1) Mounting locations for the Mounting Brackets

(2) 8mm x 25mm Hex Bolts
(2) 8mm Lock Washers
(2) 8mm Flat Washers



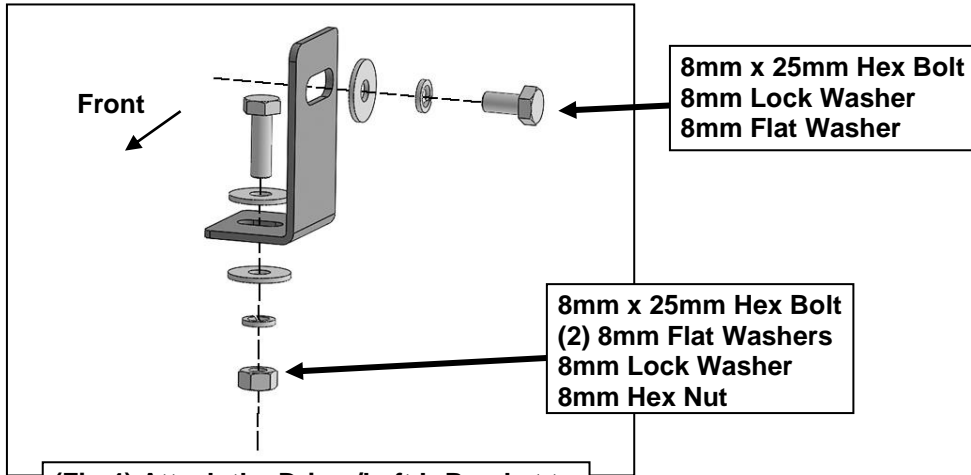
(Fig 2) Attach the Driver/Left Mounting Bracket to the Driver/Left mounting location



(Fig 3) Use the slots in the lower section of the OE bumper to attach the L-Brackets (Optional: if Light Bar will be attached, Light not included)

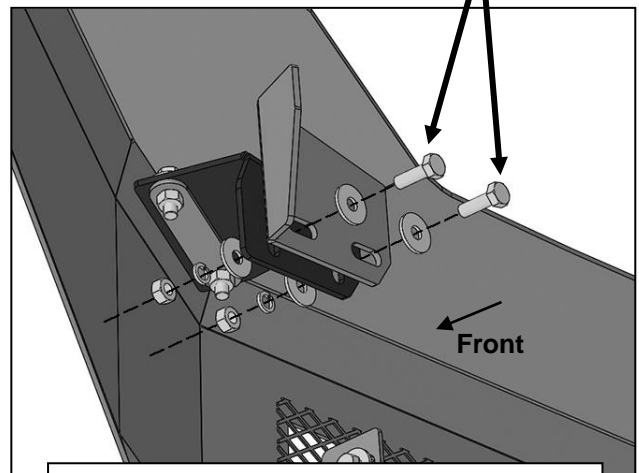
**ELEVATION FRONT BUMPER OVERLAY
2018+ POLARIS RANGER 1000/XP 1000
(OE FRONT BUMPER REQUIRED)**

Driver/Left Side Installation Pictured



(Fig 4) Attach the Driver/Left L-Bracket to the Driver/Left slot and attach a Light Bar to the L-Bracket (Light not included)

- (2) 8mm x 25mm Hex Bolts
- (4) 8mm Flat Washers
- (2) 8mm Lock Washers
- (2) 8mm Hex Nuts



(Fig 5) Attach the Overlay to the Mounting Brackets (Driver/Left shown)

