

RGB LED LIGHTED WHIP with QUICK DISCONNECT

Before you start, read directions completely.
If your vehicle is not pre-wired for external lighting, you may need the following:

- Inline Fuse Holder (SPXATC16 or similar)
- 3 Amp Fuse
- 2 Strand Primary Wire
- Wire Connectors / Solder
- Wire Cover
- Zip-Ties

Optional:

- Switch
- Relay

1. Mount the base in desired location. The base requires a 1/2" / 13mm mounting hole.
2. Connect extension wire to the Red and Black wires and route wiring to the battery or switch / relay location.
3. Refer to diagrams for wiring.

Diagram 1: Wiring direct to power and using remote control to turn on/off. Must add 3 AMP fuse on RED 12V+ wire.

Diagram 2: Wiring with a switch. You can add a new dedicated switch or use an existing light switch that outputs 12V+ when ON. You will need to add a 3 AMP fuse on the RED 12V+ wire and also requires a 12V relay.



4. Attach whip and test. To attach or release the whip from the base, pull up on the locking collar.

When whip is not attached to base, use supplied cap to keep dirt and debris out of connector.



WHAT'S INCLUDED

- 4'5' LED Whip
- Mounting Base
- Flag
- Remote Control
- Zip-Tie for Flag
- Mounting Base Cap

Diagram 1

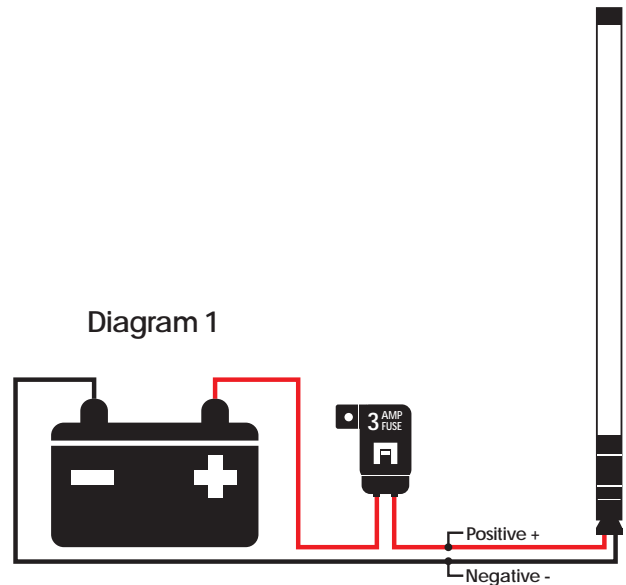
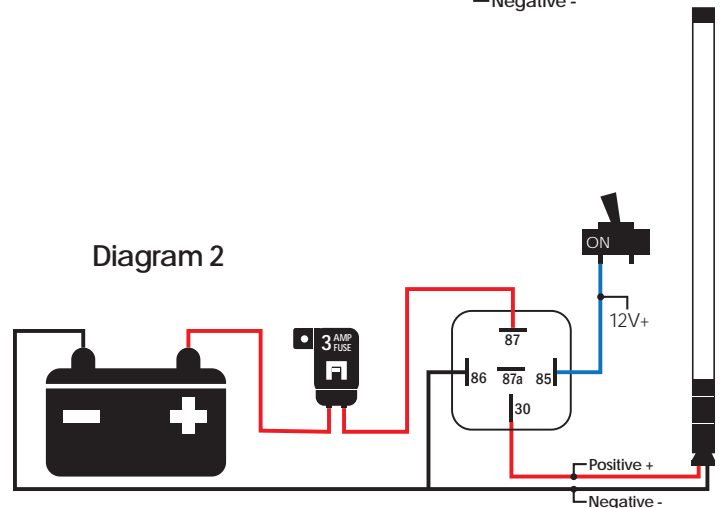
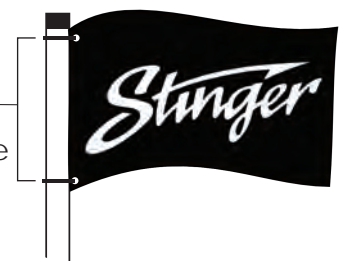


Diagram 2



Use Zip Ties to secure flag to the whip



RGB REMOTE CONTROL

20 static colors, 9 dynamic modes, 5 level speed / brightness

Battery: CR2025 / 3V - included

