



VIPER WINCH MOUNT

MA11817

Honda Pioneer 500

Thank you for purchasing our VIPER winch mount. You now own a premium custom winch mount which allows you to use your winch with your UTV / SxS. Please note the following instructions and heed all warnings.

- Please use common sense when operating your UTV / SxS
- Read your Winch Operators Manual and all other Operator Manuals, including warning labels, before operating your UTV / SxS
- Be observant of moving parts causing entanglement, use extreme caution!

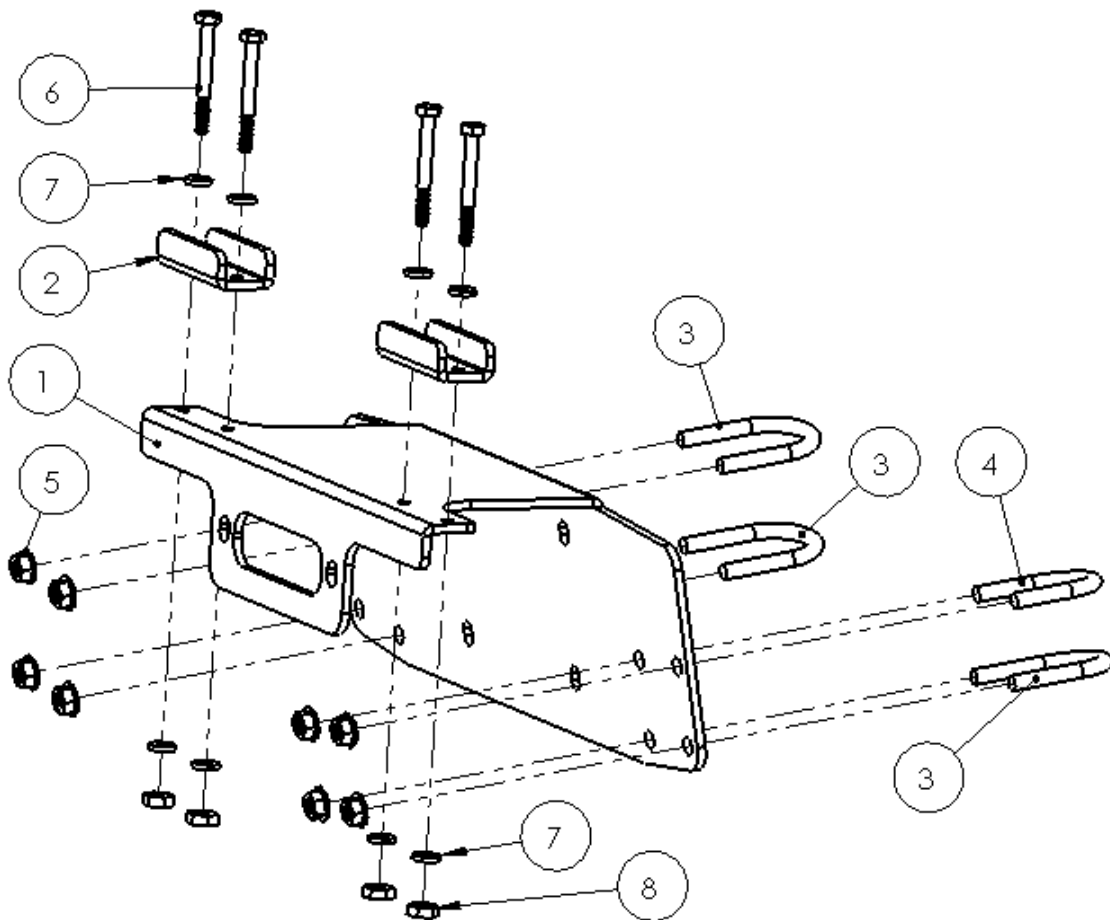
SEVERE INJURY OR DEATH MAY RESULT IF YOU ARE NEGLIGENT.

VIPER
MA11817
Honda Pioneer 500 Winch Mount

Please verify that all hardware and parts are included in your package.

Kit Content:

Item	Description	QTY
1	Honda Pioneer 500 Main Winch Bracket	1
2	Honda Pioneer 500 Support Brackets	2
3	5/16" U-bolt (42021)	3
4	5/16" U-Bolt (42021 – Short)	1
5	5/16" Serrated Flange Nuts	8
6	1/4" x 2 1/4" G5 HH Bolt	4
7	1/4" Flat Washer	8
8	1/4" Nylock Nut	4



Honda Winch Mount Assembly View

**VIPER
MA11817
Honda Pioneer 500 Winch Mount**

- 1) If your kit includes an optional rubber line stopper, install that first by removing the cable from the winch. Run the cable through the line stopper and then through the fairlead (Roller or Aluminum depending on winch kit) and then through the fairlead opening at the front of the Pioneer winch mount. Reattach the cable to the winch drum.
- 2) Remove the front bumper using an M12 socket to remove the upper two bolts and an M14 socket to remove the lower two bolts as shown in Figure 1.



Figure 1

- 3) Hold the Main Winch Bracket up to the two vertical tubes that connect to the radiator support. Using the 5/16" U-bolts, loosely secure the winch mount to the vertical tubes. **NOTE: the SHORTER U-bolt should be installed in the upper-right U-bolt holes.**

**VIPER
MA11817
Honda Pioneer 500 Winch Mount**



- 4) With the mount plate loosely attached to the vertical tubes, move the mount plate upward so that the top of the plate is in line with the sideways 'U' channels that hold the bumper. See Figure 2 & 3. When aligned, tighten the 5/16" Nuts.

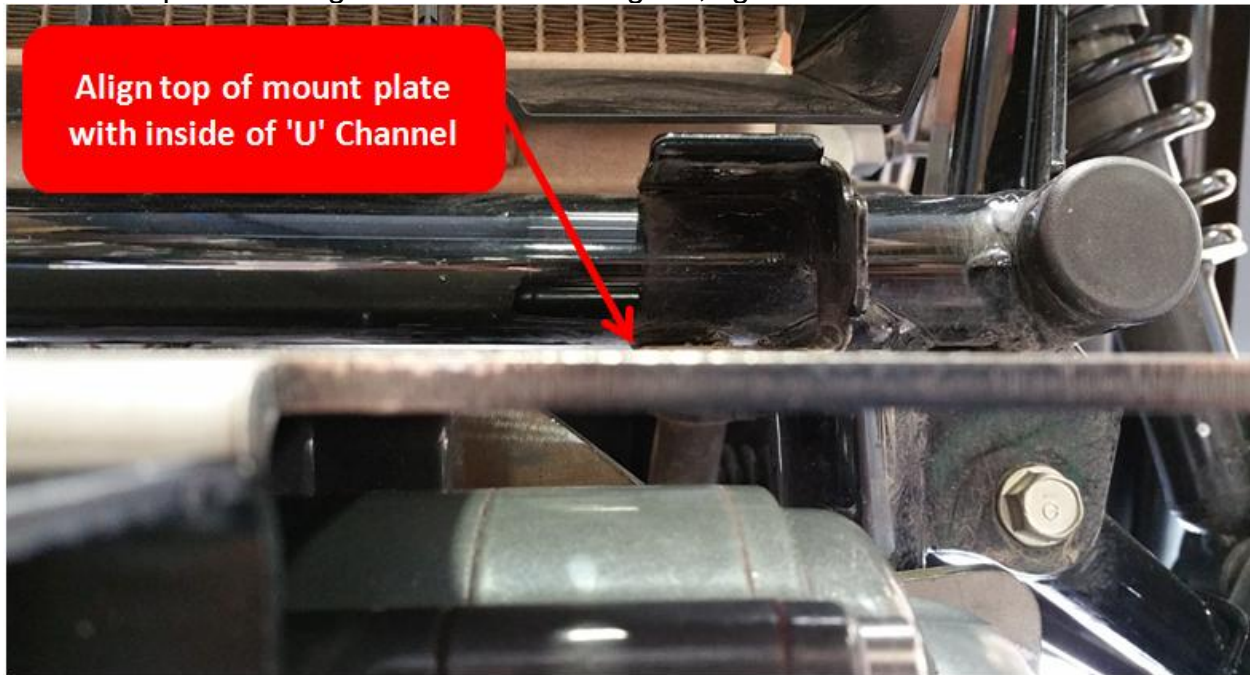


Figure 2



Figure 3

- 5) Install the winch with the motor end on the Passenger Side of the vehicle.

**VIPER
MA11817
Honda Pioneer 500 Winch Mount**

- 6) Reinstall the front bumper in reverse order, verify that the top of the winch plate is touching or close to touching the square tubing on the bumper.
- 7) Install the Winch Support Brackets over the square bumper tubing. Use the 1/4" Hardware to secure the brackets to the winch mount plate. See Winch Mount Assembly View and Figure 4.

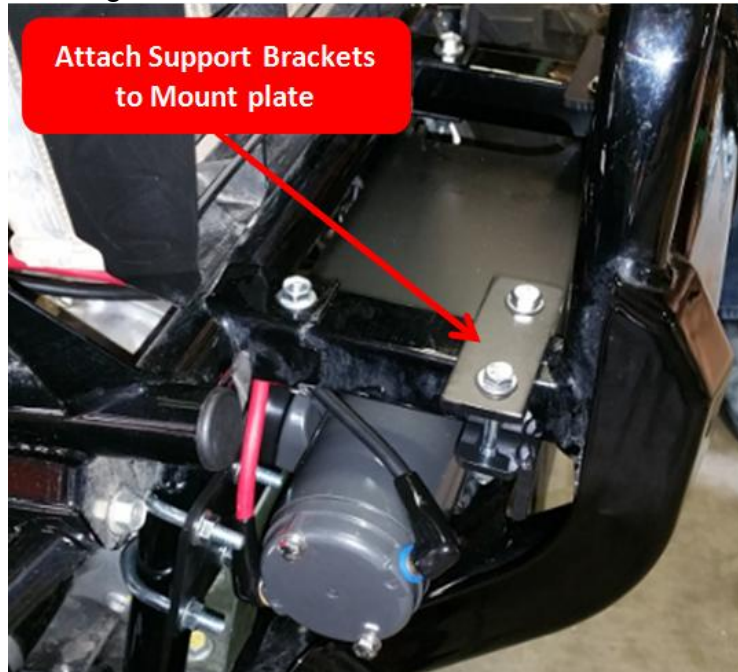


Figure 4

Electrical Setup

Before working on your vehicles electrical system, disconnect the negative battery terminal and secure it away from the battery.

- 8) Remove each of the plastic underbody panels to allow for wire routing.
- 9) Although the winch contactor is built to withstand the harshest offroad conditions we recommend mounting the contactor in a 'high and dry' location. Figure 5 shows the contactor mounted to the side plastic within the front storage compartment. Connect the toggle switch or optional dash switch to the contactor terminals and connect the red wire to an auxiliary power source, we use the positive wire that feeds the cigarette lighter.

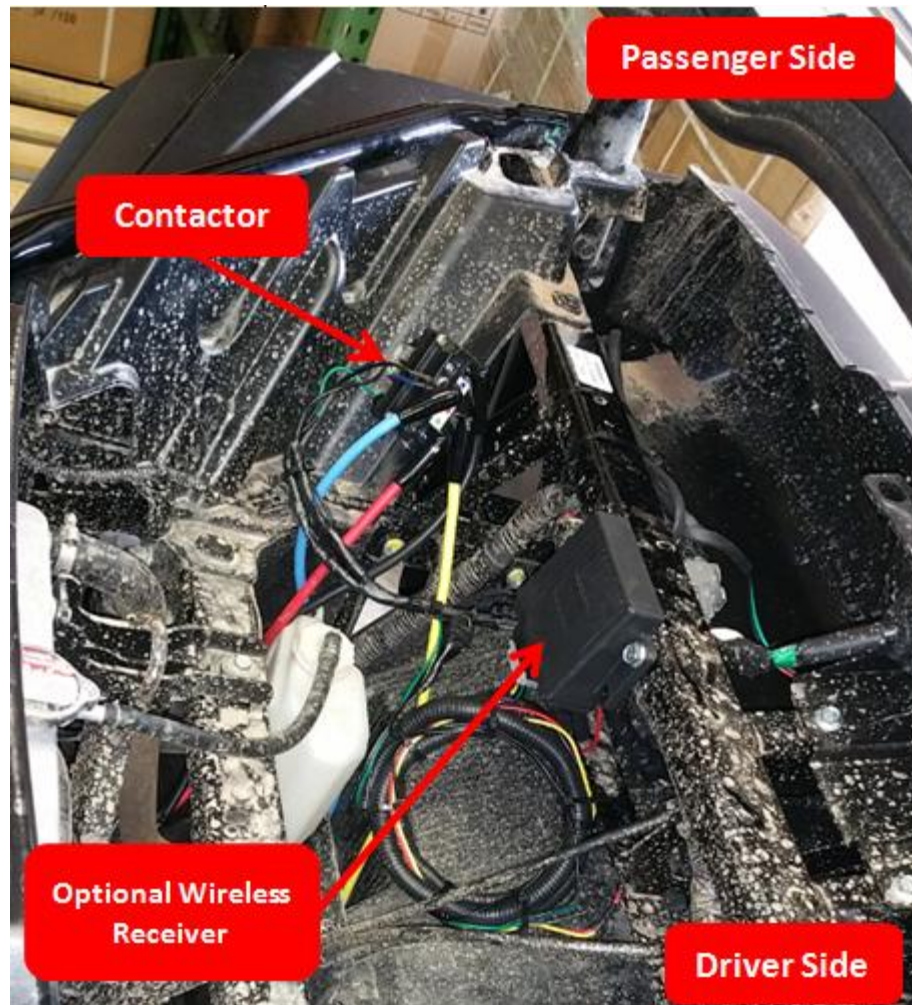


Figure 5

- 10) When installing a Viper winch, it is necessary to switch the longer Blue/Yellow cables with the shorter Black/Red cables to reach the battery terminals.
- 11) Connect the Black cable to the Blue post on the winch and the Red cable to the Yellow post on the winch. Run these cables up to the front storage compartment and connect the Black cable to the Blue post on the contactor and the Red cable to the Yellow post on contactor.
- 12) Connect the Yellow cable to the Red Post on the contactor and the Blue Cable to the Black post on the contactor. Route the cables to the drive shaft tunnel and run the

**VIPER
MA11817
Honda Pioneer 500 Winch Mount**

cables toward the battery compartment. With the Negative battery terminal disconnected and secured away from the battery, mount the Yellow cable to the Positive post on the Starter Solenoid as shown in Figure 6 & Figure 7.

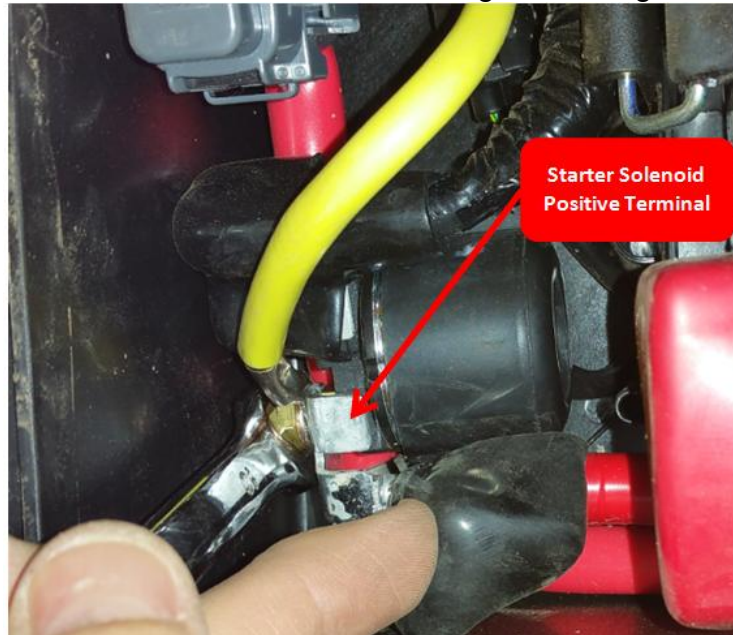


Figure 6

VIPER
MA11817
Honda Pioneer 500 Winch Mount



Figure 7

- 13) Reconnect the negative battery terminal and connect the blue cable as shown in Figure 7. Verify that the winch feeds in and out in the correct directions.