



VIPER Winch Mount

MA11818

Honda Pioneer 1000

Thank you for purchasing our VIPER winch mount. You now own a premium custom winch mount which allows you to use your winch with your UTV / SxS. Please note the following instructions and heed all warnings:

- Please use common sense when operating your UTV / SxS
- Read your Winch Operator Manual and all other operator manuals, including warning labels, before operating your UTV / SxS
- Be observant of moving parts causing entanglement; use extreme caution!

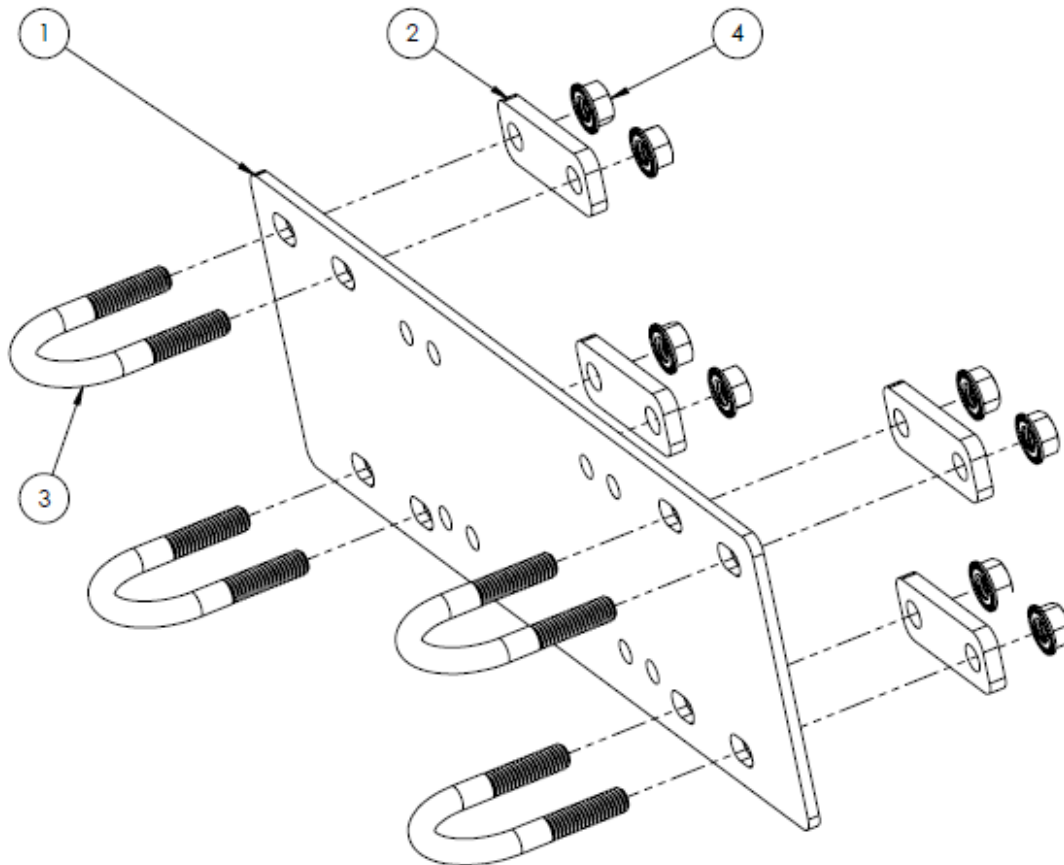
SEVERE INJURY OR DEATH MAY RESULT IF YOU ARE NEGLIGENT.

**MA11818
Honda Pioneer 1000 Winch Mount**

Please verify that all hardware and parts are included in your package.

Kit Contents:

Item	Description	QTY
1	MA11818-1 Mount Plate	1
2	MA11818-2 Mounting Strap	4
3	3/8" x 1.5" ID U-Bolt (1" PIPE McMaster: 3043T632)	4
4	3/8" Serrated Flange Nut	8
5	MA11225 Wide-to-Narrow Spool Converter Kit (not shown)	1



MA11818 Winch Mount Assembly View

- 1) Completely remove the front bumper from the machine.

**MA11818
Honda Pioneer 1000 Winch Mount**

- 2) If the winch is a Standard Spool winch (Bolt Pattern: 4 7/8" x 3"), use the MA11225 Wide-to-Narrow spool converter bracket. Attach the MA11225 bracket to the front bumper using the two (2) M10-1.5 x 25mm Allen Head Screws and Flange Nuts. Then, attach the fairlead to the MA11225 bracket using the (2) remaining M10-1.5 x 25mm Allen Head Screws.
- 3) If the winch is a Wide Spool winch (Bolt Pattern: 6.60" x 3"), attach your fairlead directly to the front bumper using the hardware included in your winch kit.
- 4) If the winch includes a Rubber Line Stopper, remove the steel cable or synthetic rope from the winch. Pass the cable through the Rubber Line Stopper and then through the Roller Fairlead or Aluminum Hawse and the bumper. Leave the cable unattached at this point. After the winch is fully installed, reattach the cable to the winch. Leave the cable unwound as it will be wound under load to properly set the cable. See Figure 1.

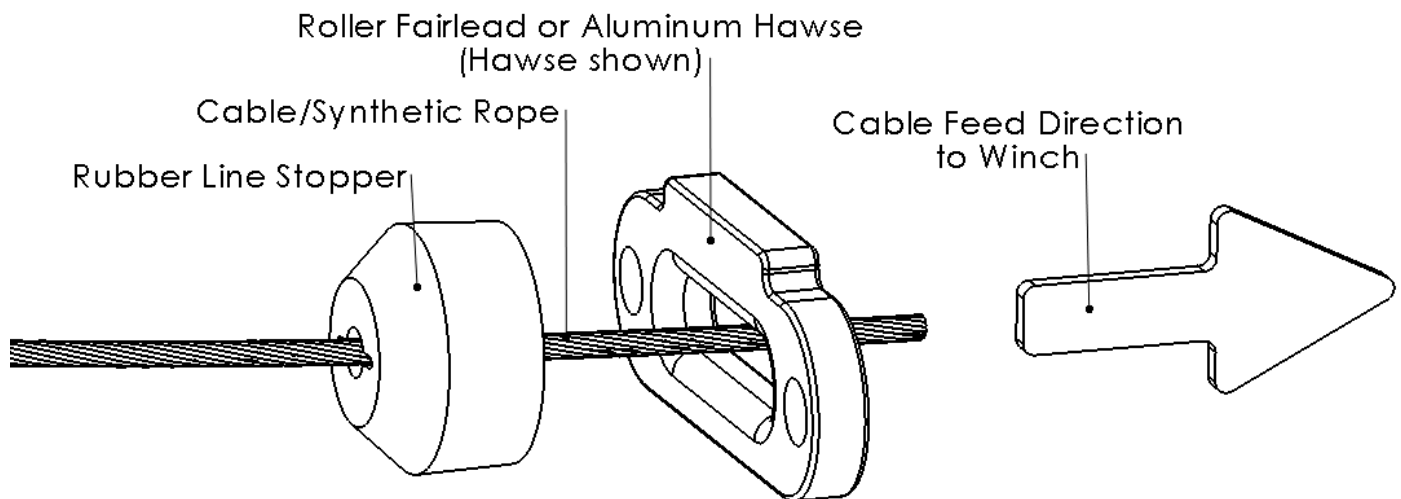


Figure 1

- 5) Using the hardware in your winch kit, mount the winch directly to the MA11818 Mount Plate (part #1). Make sure that the winch motor is on the right side of the

**MA11818
Honda Pioneer 1000 Winch Mount**



MA11818 Mount Plate (the winch sticker should be upside down in this configuration) and that the wider set of bolt holes is at the top of the mount plate. (Shown in Figure 2, Figure 3 and Figure 4)

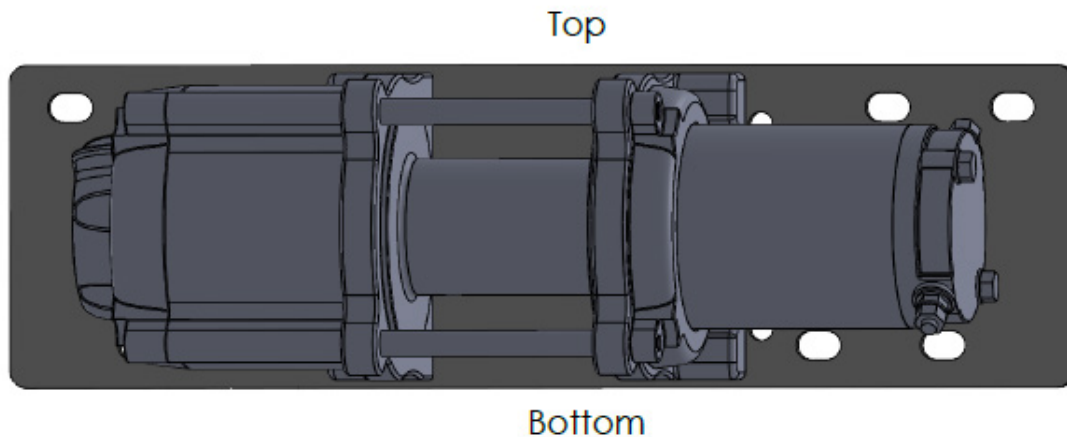


Figure 2

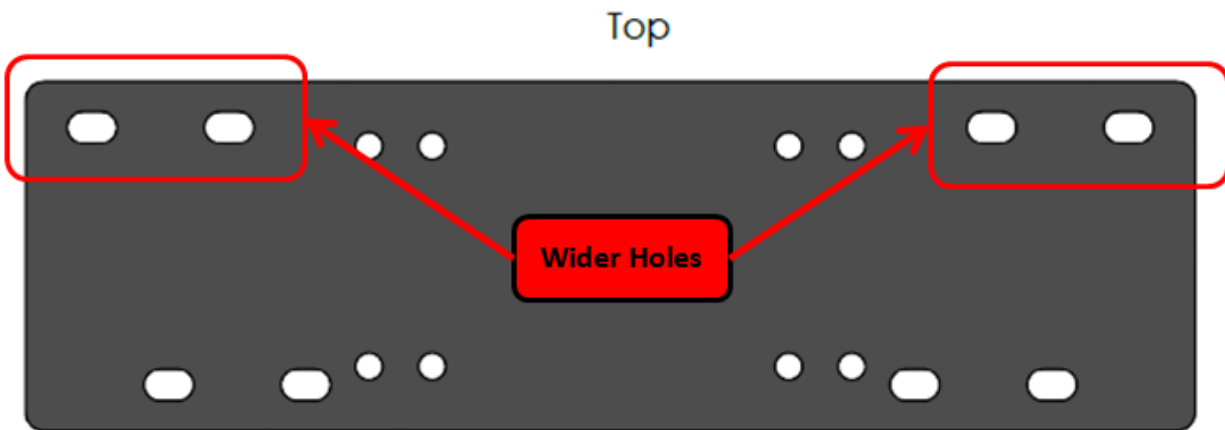


Figure 3

- 6) Insert the four (4) 3/8" x 1.5" ID U-Bolts (part #3) into the MA11818 Mount Plate (part #1) from the front (winch side) of the plate with the open ends of the U-Bolts hanging out the back.
- 7) Lift the winch and MA11818 Mount Plate (part #1) into place as shown in Figure 4. Make sure the open ends of the U-Bolts go around the frame tubing.



Figure 4

- 8) Place the Mounting Straps (Part #2) around the back of the frame tubing, over the open ends of the U-Bolts and secure with the eight (8) 3/8" Serrated Flange Nuts as shown in Figure 5 and the Winch Mount Assembly View. Do not tighten at this time.



Figure 5

- 9) Check that the mount is square and tighten down all hardware evenly.

10) Reattach the winch cable to the winch. Make sure that it is running over the top of the spool and between the tie rods as shown in Figure 6.



Figure 6

11) Reinstall the front bumper.

12) Mount the contactor under the hood of the machine and wire up according to the winch manual. It may be necessary to swap the longer blue and yellow wires with the shorter black and red wires on some winches.

13) Once the winch is wired up properly, tie the end of the cable off to a secure location (such as a tree, a post, or a full sized truck), set the brake on the machine and wind the winch in carefully (following the duty cycle noted in your winch operations manual), watching to make sure the cable doesn't become tangled. This will help set the cable and prevent future tangles.