



motoalliance

MOTOALLIANCE WINCH MOUNT

MA11906

RZR 900 / RZR XP1000

Thank you for purchasing our MotoAlliance winch mount(s). You now own a premium custom winch mount which allows you to use your winch with your UTV / SxS. Please note the following instructions and heed all warnings.

- Please use common sense when operating your UTV / SxS
- Read your Winch Operator's Manual and all other Operator Manual's, including warning labels, before operating your UTV / SxS
- Be observant of moving parts causing entanglement, use extreme caution!

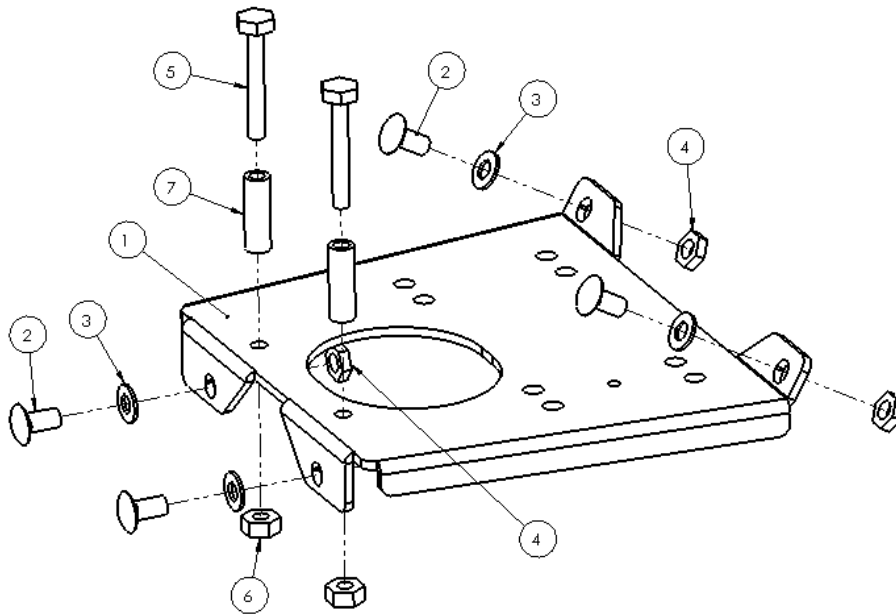
SEVERE INJURY OR DEATH MAY RESULT IF YOU ARE NEGLIGENT.

**MotoAlliance
MA11906 RZR 900/XP1000 Winch Mount**

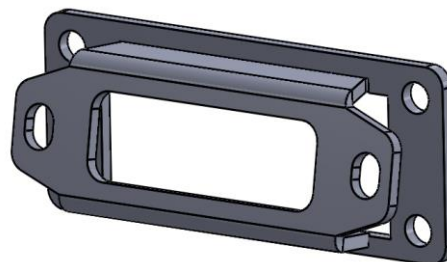
Please verify that all hardware and parts are included in your package.

Kit Content:

Item	Description	QTY
1	MA11906-1 Base Plate	1
2	3/8"-16 x 1" Grade 5 Carriage Bolt	4
3	3/8" Flat Washer	4
4	3/8"-16 Nylock Nut	4
5	5/16"-18 x 2 1/4" Grade 5 Hex Head Bolt	2
6	5/16"-18 Nylock Nut	2
7	5/16" ID 1/2" OD x 1 1/2" long Aluminum Spacer	2
8	MA11906-3 Fairlead Bracket (Second picture below)	1

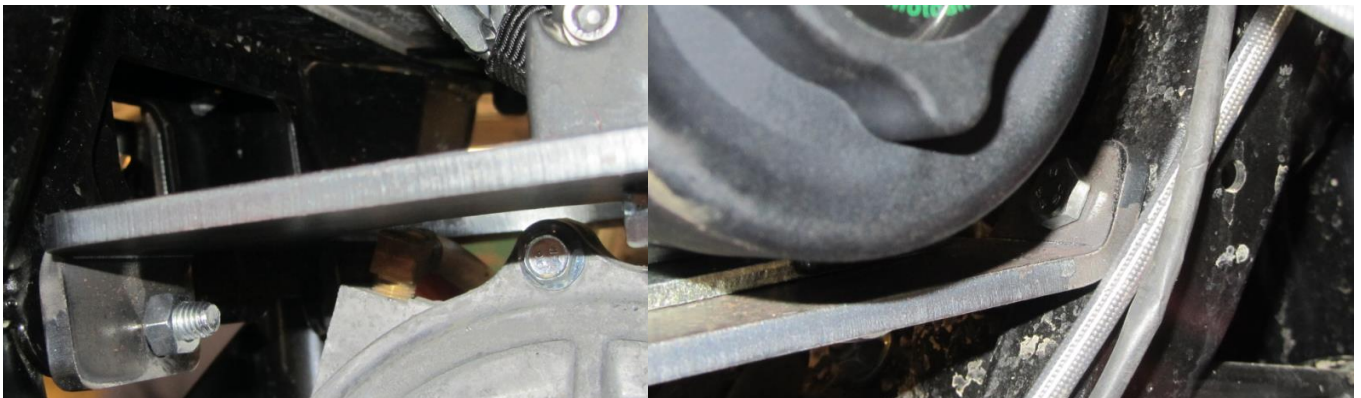


MA11906 Winch Mount



MA11906 Fairlead

- 1) If your kit includes an optional rubber line stopper, install that first by removing the cable from the winch. Run the cable through the line stopper and then through the fairlead and fairlead opening in the frame of the RZR. Pull enough cable through the fairlead opening to allow for reinstallation on to the winch drum.
- 2) Install your winch mount into the area above the front differential. Use the 3/8" Carriage bolts to secure the mount as shown below. Place the winch onto the winch mount with the motor facing the passenger side. Secure the winch using the hardware included in your winch kit.



- 3) Route your cable through the opening in the RZR frame and through the Fairlead Bracket included in your kit. At this time it is also best to run the cable through the aluminum hawse or roller fairlead. Mount the Fairlead Bracket to the frame of the RZR using the existing hardware shown below. The Fairlead Bracket should be oriented such that the angled face points upward as shown in the image on Page #2.



- 4) Ensure that all the hardware is tight.
- 5) **ALWAYS DISCONNECT THE NEGATIVE BATTERY TERMINAL WHEN WORKING WITH YOUR VEHICLES ELECTRICAL SYSTEM.** Wire your winch using the manufacturer's wiring schematic. We recommend mounting the contactor under the hood next to the coolant reservoir bottle. Run the longer cables through the center tunnel to the battery.

