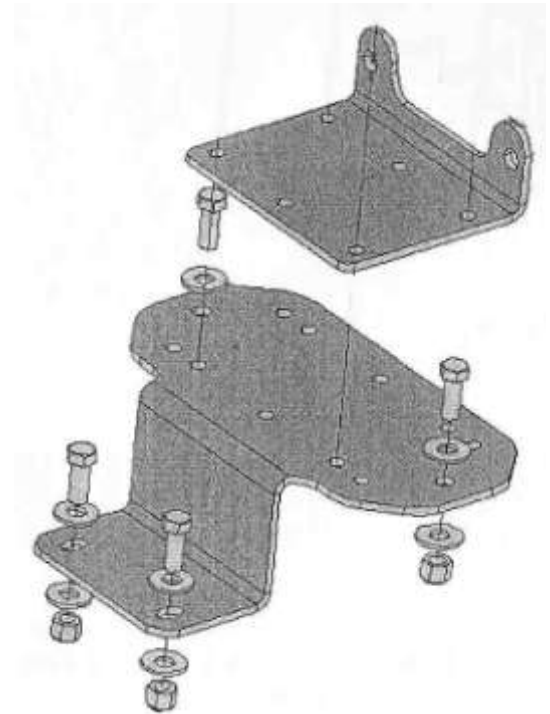


Kit Contents

Qty	Description
1	Mount Plate (Fairlead mount shown comes with winch)
4	8mm x 40mm Hex Head Bolts (for use with spacers)
4	3/8"-16 x 1" Hex Headed Bolt
4	3/8" Nylock Nut
8	3/8" Flat Washer
2	Spacer Blocks

Winch Installation

1. Orient winch mount plate as shown in the schematic (lower right). It should sit in the center of the brushguard side tubes at the lower front of the machine. Use the 3/8" hardware to mount the plate to the frame.
2. Mount the roller or hawse fairlead to the fairlead mount plate (upper right) that was included in your winch kit. using the hardware included with the fairlead.
3. Assemble your winch & mount to the fairlead plate and winch mount plate using the hardware supplied with the winch. **Use spacers and hardware underneath winch feet if installing a VIPER Max 3500-5000lb models or VIPER Elite series winch.**



Electrical Installation

4. First determine where to install the contactor (control relay). There is no right or wrong place. We recommend a dry place away from sharp or moving suspension parts. It can be hard to find a totally dry place on an ATV but just try to find the best spot. You may mount it in the front, back or under the seat. You may mount it with U-bolts (holes on contactor are metric.) or bolts. We usually install the contactor in the rear storage compartment if possible because it is dry there. When installing the contactor in the storage compartment, you should attach all the wires first, before bolting it down. We also offer an optional side bracket mount. Which we used on this machine. This bracket allows the contactor to hang on the side of square tubing. There is an additional cost associated with this part and you can call us for details or visit our website.
5. Now the power wires can be run. Take the long set of red/black power wires and attach the red wire to the winch's red terminal and the black wire to the silver terminal. Keep the wire away from moving suspension parts. We left wire loose as we went down the upper frame. When fastening any wire where moisture could cause problems put dielectric tune-up grease (Permatex 22058 from NAPA) on all connections. Also if you want extra vibration protection, Napa has plastic split loom tube conduct that can also be installed over the wire after it has been routed through the frame. (Napa #737300, 3/8" split loom) Connecting the wire to the contactor, you will want the red wire attached to the red nut on the winch motor to go to the blue terminal on the contactor. (Blue is painted on top of the contactor terminal). The black wire attached to the silver terminal on the winch goes to the yellow terminal on contactor. If you get this wiring backwards this will not damage anything, the control switch on handlebars will just work in reverse.

**Yamaha Rhino
Winch Mount Kit
MA11924**



6. Run the power wires from the battery into the compartment or location you have chosen for your contactor. The red wire goes to the positive terminal on the battery and the red terminal on the contactor. The black wire goes negative terminal on the battery and the black terminal on contactor. We didn't attach the red wire until all the rest of the wiring was complete. Caution! It is easier to reverse the polarity at the battery then you would think and that can cause damage to your voltage regulator, contactor, and can start fires. The battery is capable of supplying a lot of current even to a short.

7. The last of the wiring is to mount and wire in the control switch on the dash. You will need to drill a couple of holes in the dashboard, using the switch housing as a template. Remove nuts from side bolts, fasten switch to dashboard and attach using the fender washers provided securing the washers & nuts from the other side. See picture to the right.



8. Drill a hole for the wiring and use the grommet to protect the wire before feeding it through. Keep the red wire that hangs out near switched 12-volt wire. Route the control wire down to the power wire and follow the power wire back to the contactor location. Fasten the green wire to the green wire on contactor and the black wire to the black wire on the contactor. (The connectors are gender specific and can't be reversed.)

9. The red switch control wire is the next item, which often raises some questions. The red control wire hanging out of the control cable near the switch goes to the switch 12 volts on the UTV. Some UTV's will have an accessory wire provided and it is spelled out in the owner's manual. The wire will be fused for it. The wires can be many different colors. You could also call an your service center & they will give you the location and color wire for winch control, switch 12 volts wires over the phone. A factory service manual will also have the schematic in it. We found the switch 12 volts by using a 12-volt test light. With the test light clipped to the frame we turned on the key and lit the light. We turn turned off the key and light went out. (Switched 12 volts are defined as 12 volts is removed with the key off, as opposed to battery 12 volts that has power all the time. You can always find switch 12 volts on the backside of the ignition switch.) You may obtain a crimp on side tap terminal for taping into insulated wire at an Auto parts store or hardware store. We bared the insulation and soldered the red wire to the 12-volt wire. We used RTV Silicone on the joint and wrapped it in electrical tape. Some manufacturers provide a connector to plug into under the front access panel. Usually a crimp on spade connector will mate with it.

10. Lastly, fasten down the contactor with the bolts provided in the winch box. Make sure the 10-MM terminal nuts are tight on the contactor and wire terminal lugs and not shorting. Double check the green and black control wires on the contactor. They can mate hard, so make sure they are seated. Then, attach the battery wires to the battery. Your winch is operational. With the ignition key on, the relay should click when the handle bar control switch is activated. You should test both halves of the switch. The click is independent of winch powering 12 volts. It will click even if the battery is not wired to the contactor or winch. Wind in excess winch steel cable by carefully guiding it to the spool. Installation technicians are available to answer questions that may arise.