

**Kawasaki Prairie (2001-2003:650 &2004-2006:700)
Winch Mount Kit
MA11934**

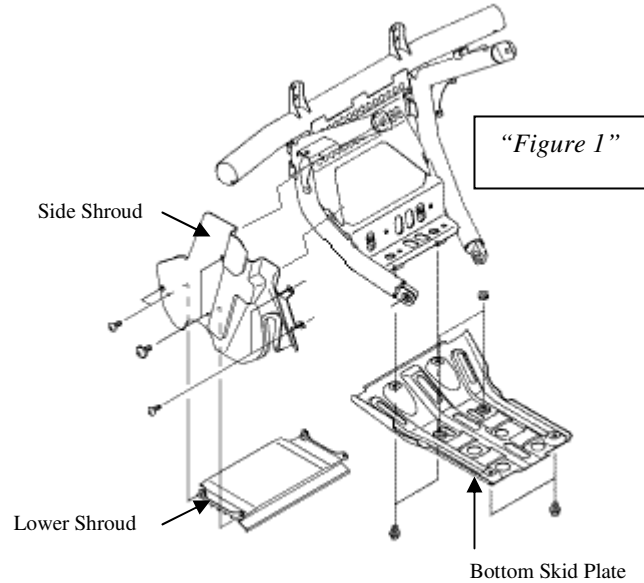
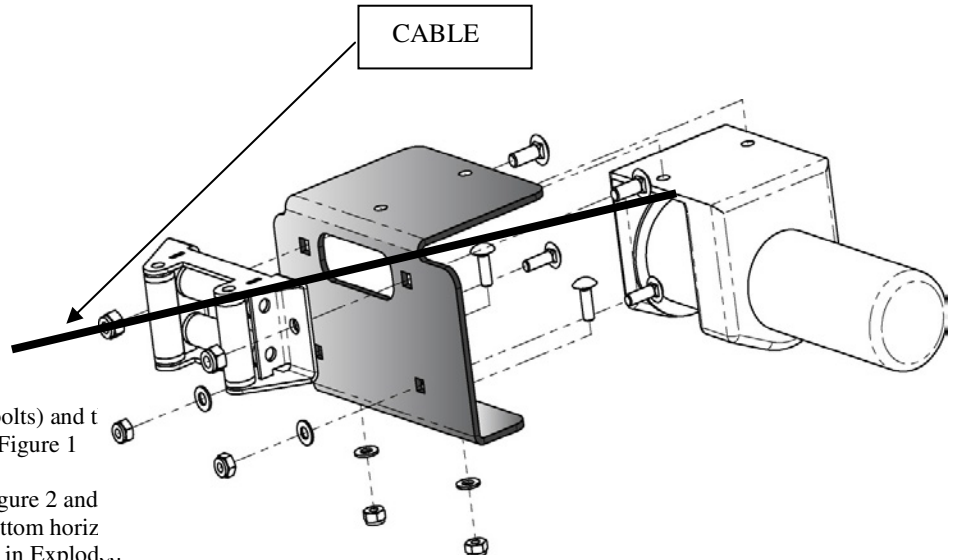


Kit Components:

<u>Qty</u>	<u>Part Description</u>
1.....	Winch Mount
4.....	5/16" x 1" Carriage Bolt SN
4.....	5/16" Nylock Nut
4.....	5/16" SAE Flat Washer
2.....	3/8" x 1" Carriage Bolt SN
2.....	3/8" Nylock Nut

INSTALLATION INSTRUCTIONS:

1. Begin by removing the bottom skid plate (4bolts) and the side and lower radiator shrouds as shown in Figure 1
2. Place the mount into location as shown in Figure 2 and assemble the two bottom vertical and two bottom horizontal 5/16" Carriage Bolts and hardware as shown in Exploded views above.
3. Assemble your fairlead to the mounting bracket using the hardware that was supplied with your winch and tighten as shown in the exploded view above.
4. Assemble your Winch to the mounting bracket using the hardware that was supplied with your Winch as shown in the upper exploded view. The exploded view shows a 2-Hole mounted winch, but the 4-hole mounted winch will mount the same. The winch will be installed upside-down. (NOTE: LH motored winch shown in view, some winches may come with motor on the other side. Make sure the cable comes out between the winch mounting surface and the spool. This may require re-spool in opposite direction.)
5. Replace all parts removed in Step 1. (NOTE: The lower Radiator Shroud may not be able to be re-assembled in most applications. Trimming of the side shroud may be required.)
6. Using the instructions provided with your winch, wire accordingly.



"Figure 2"
Mount Shown in Position with winch

