

2012-2013 Kawasaki Teryx 4 Winch Mount MA11937



Verify that all hardware and parts are included in your package.

Teryx 4 Winch Mount

Item	Qty	Description
1	1	MA11937 Winch Mount Plate
2	4	3/8" x 1.00" HH Bolt
3	4	3/8" Flat Washer
4	4	3/8" Nylock Nut

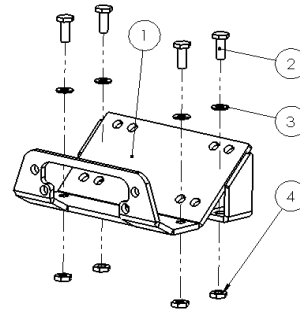


Figure 1

Installation Instructions:

1) Begin by removing the front fascia with a M10 socket and Philips screw driver.

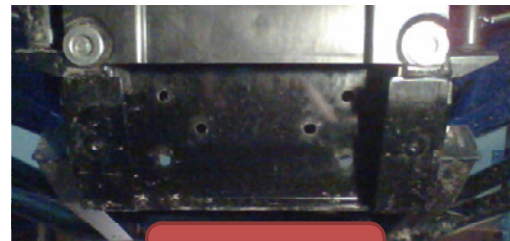
2) Place the winch mount such that the angled face of the winch faces forward. Line up the four base holes with the holes on the Teryx 4. Use the 3/8" x 1.00" Bolts with washers and nuts. See Figure 1 for hardware orientation.

3) Mount the winch using the hardware included in your winch kit such that the motor is on the passengers side of the vehicle. Tighten down all hardware.

4) Wire your winch according to the winch manufacturers specifications. Mount your contactor in a location that is as dry and free from the elements as possible. For additional corrosion protection, you can use dielectric grease for any automotive store on the electrical connection points (not included)



Figure 2



Underside of Teryx 4
with front fascia