

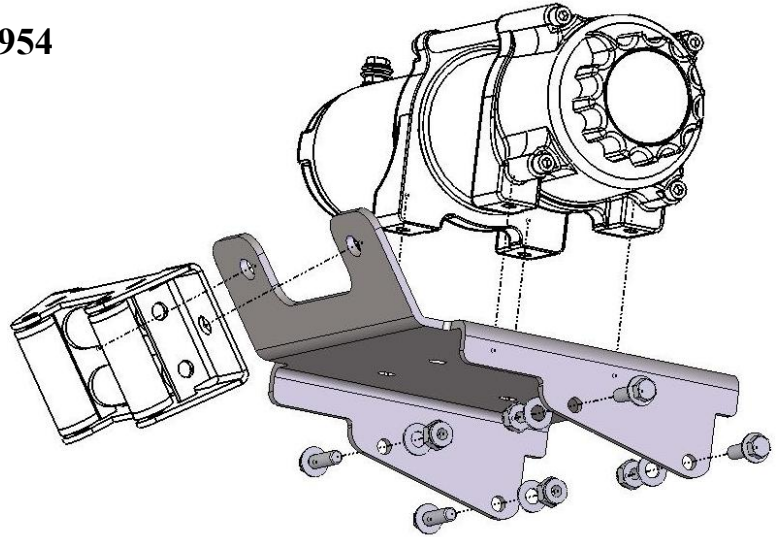
**Suzuki King Quad 400  
Winch Mount Kit  
MA11954**



**Winch Mount                      PART # MA11954**

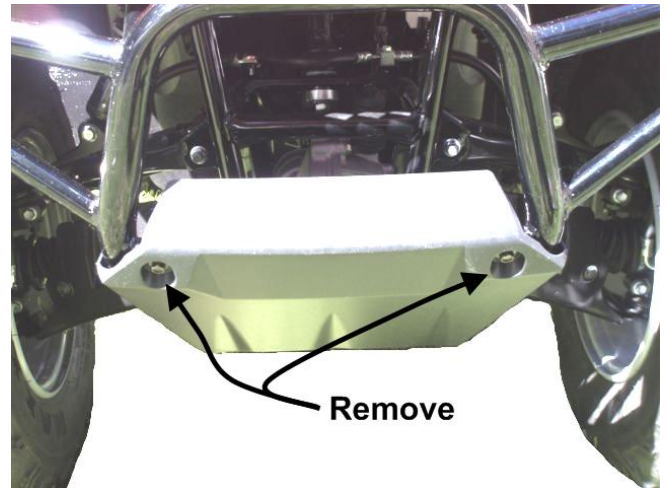
**Kit Components:**

| <u>Qty</u> | <u>Part Description</u>         |
|------------|---------------------------------|
| 1.....     | Winch Mount                     |
| 4.....     | 5/16-18 x 1.00" HH Flanged Bolt |
| 4.....     | 5/16" Nylock Nuts               |
| 4.....     | 5/16" SAE Flat Washers          |

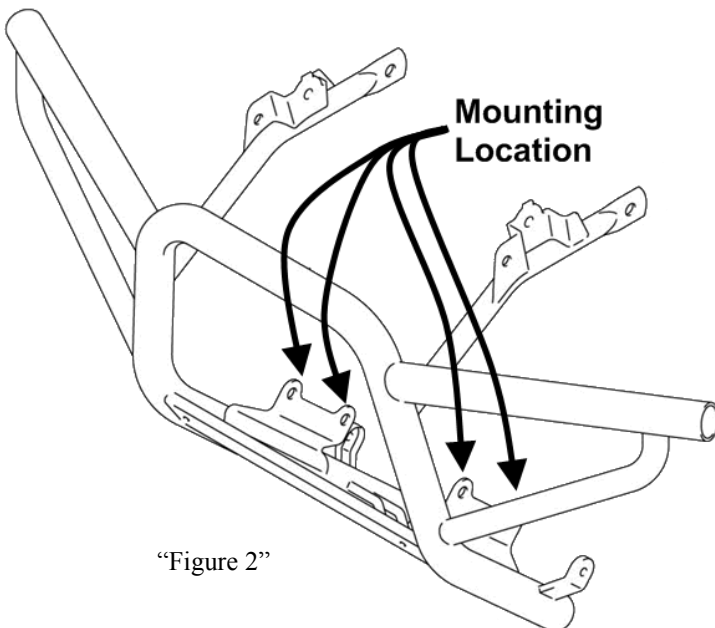


**INSTALLATION INSTRUCTIONS:**

1. Begin by removing the two bolts shown in Figure 1 and lower the front plastic fascia to gain access to the winch mounting location
2. Place mounting plate into location shown in Figure 2 and attach using the supplied 5/16" hardware.
3. Assemble your winch and the Fairlead to the mounting plate using the hardware that was supplied with your winch.
4. Re-install plastic fascia that was removed.
5. Using the instructions provided with your winch, wire accordingly.



"Figure 1"



"Figure 2"

