





# INSTALLATION INSTRUCTIONS

## For Installing a Quick Connect Power Lead on a Warn Winch

Your safety, and the safety of others, is very important. To help you make informed decisions about safety, we have provided installation and operating instructions and other information on labels and in this guide. This information alerts you to potential hazards that could hurt you or others. It is not possible to warn you about all potential hazards associated with this product, you must use your own good judgment.

**CARELESS INSTALLATION AND OPERATION CAN RESULT IN SERIOUS INJURY OR EQUIPMENT DAMAGE. READ AND UNDERSTAND ALL SAFETY PRECAUTIONS AND OPERATING INSTRUCTIONS BEFORE INSTALLING AND OPERATING THIS PRODUCT.**

This guide identifies potential hazards and has important safety messages that help you and others avoid personal injury or death. **WARNING** and **CAUTION** are signal words that identify the level of hazard. These signal words mean:

-  **WARNING** signals a hazard that could cause serious injury or death, if you do not follow recommendations.
-  **CAUTION** signals a hazard that may cause minor to moderate injury, if you do not follow recommendations.

### **WARNING**

#### **INJURY HAZARD**

**Failure to observe these instructions could lead to severe injury or death.**

- q **Always** use extreme caution when drilling on any vehicle. Make sure that all fuel lines, brake lines, electrical wires, and other objects are not punctured or damaged when/if drilling on the vehicle. Thoroughly inspect the area to be drilled (on both sides of material) prior to drilling, and relocate any objects that may be damaged. Failure to inspect the area to be drilled may result in vehicle damage, electrical shock, fire or personal injury.
- q **Always** wear safety glasses when installing this kit. A drilling operation will cause flying metal chips. Flying chips can cause eye injury.
- q **Always** use extreme caution when cutting and trimming during fitting.
- q **Always** remove jewelry and wear eye protection.
- q **Never** lean over battery while making connections.
- q **Never route electrical cables:**
  - o Across any sharp edges.
  - o Through or near moving parts.
  - o Near parts that become hot.
- q **Always** insulate and protect all exposed wiring and electrical terminals.
- q **Always** install terminal boots as directed in installation instructions.
- q **Always** use appropriate and adequate care in lifting components into place.
- q **Always** insure components will remain secure during installation and operation.
- q **Always** tighten all nuts and bolts securely, per the installation instructions.
- q **Always** stay clear of moving parts and joints. Always keep others away when operating or adjusting plow.
- q **Always** replace all worn or damaged parts before operating.
- q **Never** operate this WARN product with damaged or missing parts.

### **Caution**

#### **Moving Parts Entanglement Hazard**

**Failure to observe these instructions could lead to minor or moderate injury.**

- q **Always** take time to fully read and understand the installation and Operations Guide included with this product.
- q **Never** operate this product if you are under 16 years of age.
- q **Never** operate this product when under the influence of drugs, alcohol or medications.

**Read installation and operating instructions thoroughly.**

### **Notice**

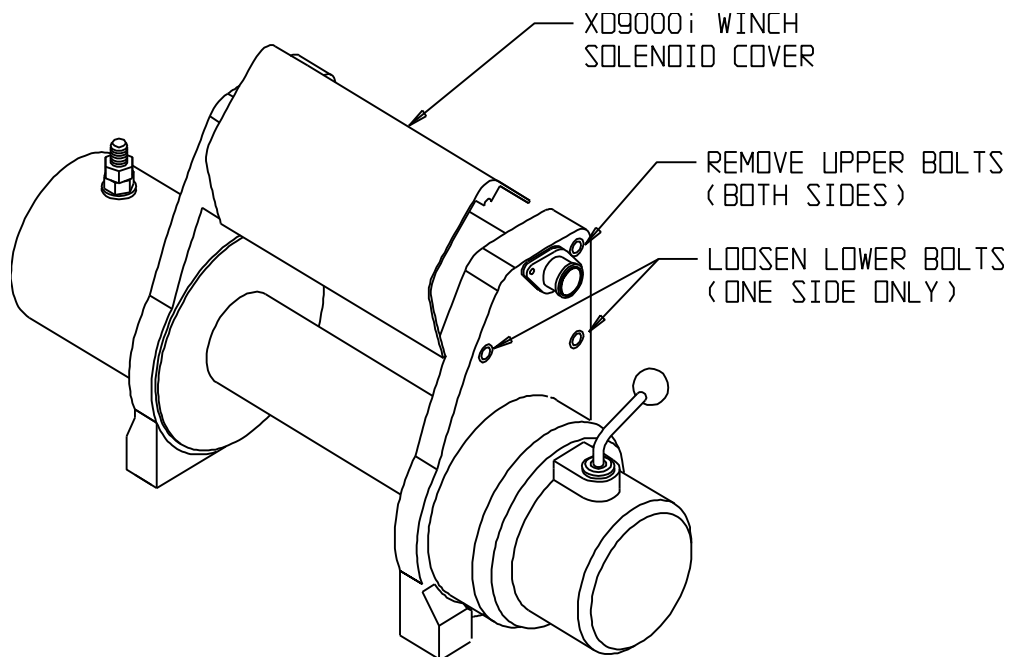
#### **Equipment Damage**

- q **Always** refer to the Installation and Specification Guide, supplied in the winch kit, for all wiring schematics and specific details on how to wire this WARN product to your vehicle.

**Read installation and operating instructions thoroughly.**

1. Before bolting down the winch, it is necessary to install the "quick-connect" electrical cable on the winch in place of the long red and black battery cables.
- If the winch is the XD9000i or X8000i, refer to **Figure 1** and remove the solenoid cover by removing the upper screw on each end. Then loosen the two lower screws on one end only. Tilt the cover forward and down and then lift off. Remove the long red cable from the solenoid terminal and install the black/white (+) lead of the quick-connect. Remove the long black cable from the bottom of the winch motor and install the black (-) lead of the quick-connect. Reinstall the cover.

**FIGURE 1**



- If the winch has a separate control pack with a black plastic cover, remove the plastic cover being careful not to strain the internal wiring. Replace the cables as described above. Reinstall the cover.