



# INSTALLATION INSTRUCTIONS

## WINCH MOUNTING KIT

Part Number: 88449

Application: 2012+ Kawasaki Teryx4

### GENERAL SAFETY PRECAUTIONS

Your safety, and the safety of others, is very important. To help you make informed decisions about safety, we have provided installation and operating instructions and other information on labels and in this guide. This information alerts you to potential hazards that could hurt you or others. It is not possible to warn you about all potential hazards associated with this product, you must use your own good judgment.

**CARELESS INSTALLATION AND OPERATION CAN RESULT IN SERIOUS INJURY OR EQUIPMENT DAMAGE. READ AND UNDERSTAND ALL SAFETY PRECAUTIONS AND OPERATING INSTRUCTIONS BEFORE INSTALLING AND OPERATING THIS PRODUCT.**

This guide identifies potential hazards and has important safety messages that help you and others avoid personal injury or death. **WARNING** and **CAUTION** are signal words that identify the level of hazard. These signal words mean:

**▲WARNING** signals a hazard that could cause serious injury or death, if you do not follow recommendations. **▲CAUTION** signals a hazard that may cause minor to moderate injury, if you do not follow recommendations.

This guide uses **NOTICE** to call attention to important mechanical information, and **Note:** to emphasize general information worthy of special attention.

### **▲ WARNING**

Impact and Moving Parts Entanglement Hazard

#### **FAILURE TO OBSERVE THESE INSTRUCTIONS COULD LEAD TO SEVERE INJURY OR DEATH**

- Always use extreme caution when drilling on any vehicle. Make sure that all fuel lines, brake lines, electrical wires, and other objects are not punctured or damaged when / if drilling on the vehicle. Thoroughly inspect the area to be drilled (on both sides of material) prior to drilling, and relocate any objects that may be damaged. Failure to inspect the area to be drilled may result in vehicle damage, electrical shock, fire or personal injury.
- Always wear safety glasses when installing this kit. A drilling operation will cause flying metal chips. Flying chips can cause eye injury.
- Always use extreme caution when cutting and trimming during fitting.
- Always remove jewelry and wear eye protection.
- Never lean over battery while making connections.
- Never route electrical cables:
  - Across any sharp edges.
  - Through or near moving parts.
  - Near parts that become hot.
- Always insulate and protect all exposed wiring and electrical terminals.
- Always install terminal boots as directed in installation instructions.
- Always use appropriate and adequate care in lifting components into place.
- Always insure components will remain secure during installation and operation.
- Always tighten all nuts and bolts securely, per the installation and operation.
- Always perform regular inspections and maintenance on the winch, winch mount and related hardware.
- Never ever operate this WARN product with damaged or missing parts.

Read installation and operating instructions thoroughly.

## **⚠ CAUTION**

### **Moving Parts Entanglement Hazard**

**FAILURE TO OBSERVE THESE INSTRUCTIONS COULD LEAD TO MINOR OR MODERATE INJURY**

- Always take time to fully read and understand the installation and Operations Guide included with this product.
- Never operate this product if you are under 16 years of age.
- Never operate this product when under the influence of drugs, alcohol or medications.

Read installation and operating instructions thoroughly.

## **NOTICE**

### **Equipment Damage**

- Always refer to the Installation and Specification Guide, supplied in the winch kit, for all wiring schematics and specific details on how to wire this WARN product to your vehicle.
- Never overtighten the j-bolt to the bracket. Doing so will pinch the winch cable against the bracket, damaging the cable.
- Always put the end of the actuator cable through the slot in the Termination Bracket. Terminating the cable through any other hole in the bracket will cause the bracket to not function properly and will drastically reduce the life of the actuator cable.

Read installation and operating instructions thoroughly.

## **BEFORE YOU BEGIN**

This kit is compatible with WARN's line of ATV winches. Winch is sold separately. Please read WARN's Winching Technique guide and winch installation guide provided with the winch prior to installation and use of this product.

Not all the hardware required to install a winch is included in this mounting kit. Some hardware will be used from Warn Winch kit.

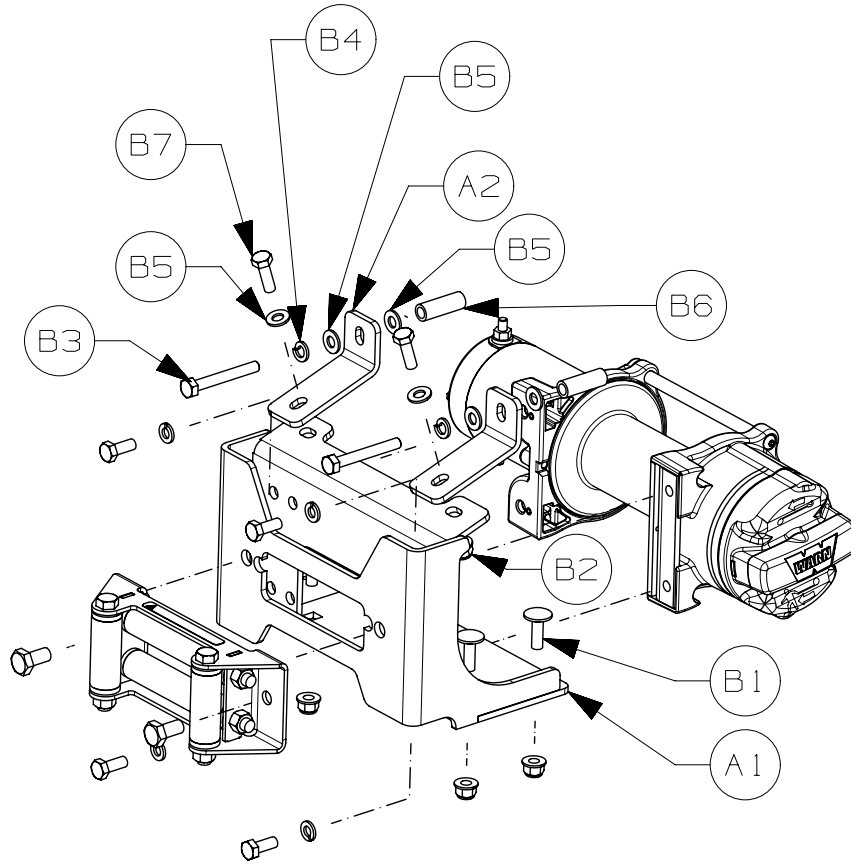
Before beginning winch installation, allow the engine and exhaust system to cool and disconnect the negative cable from the battery.

## **TABLE OF CONTENTS**

Parts List.....	page 3
Tools Required.....	page 3
Torque Specifications.....	page 3
Installation.....	page 4-5
Maintenance/Care.....	page 6

## PARTS LIST

Reference	Part Number	QTY	Description
A1	88447	1	Winch Mount
A2	88444	2	Straps
B1	79883	4	M8 carriage bolt
B2	71588	6	M8 lock nuts
B3	76520	2	M8 x 60mm bolt
B4	83474	2	lock washer
B5	1324	6	washer
B6	86449	2	spacer
B7	22508	2	M8 x 25mm bolt



## TOOLS REQUIRED

- 13mm, 14mm, 15mm, 16mm, 17mm Socket
- 13mm, 14mm, 17mm End Wrench
- Socket Driver

## TORQUE SPECIFICATIONS

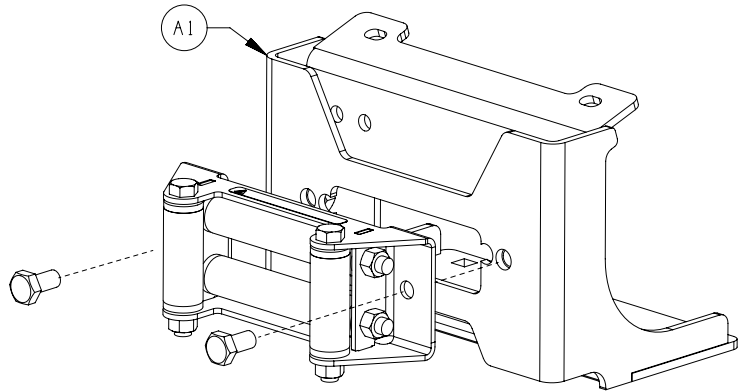
Please use the recommended torque specifications when assembling this product unless otherwise specified in the instructions.

8mm 12 lb. ft. (16 N-m)

# INSTALLATION INSTRUCTIONS

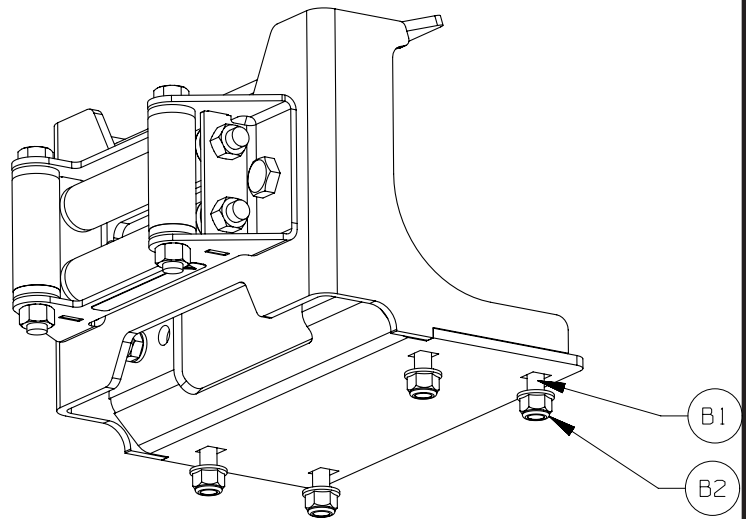
1. Remove bumper grill insert. If bumper does not have removable insert, the bumper will need to be removed.
2. If Warn plow mount is being installed along with winch mount, install plow mount first.
3. Install roller fairlead to mount (A1). See figure 1.

**NOTE:** Mounting hardware is included in winch kit..



**Figure 1**

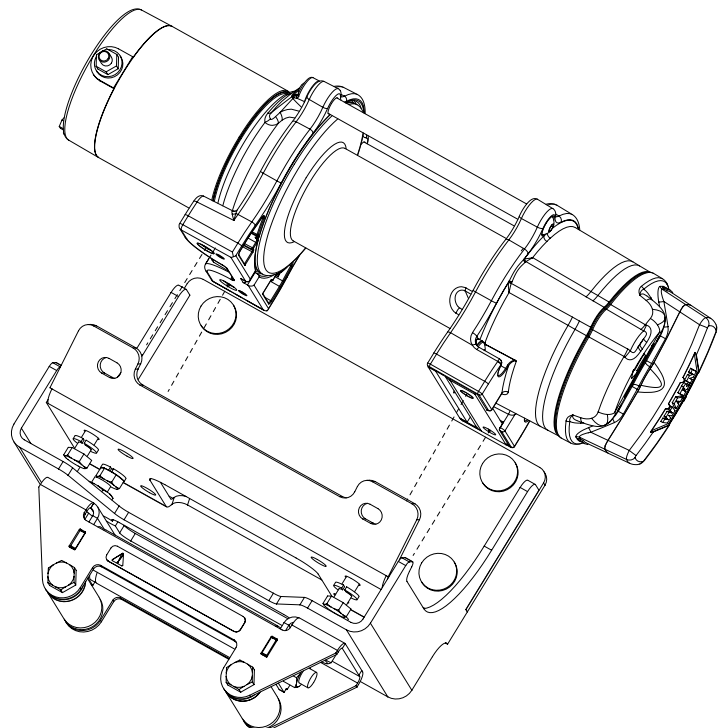
4. Carriage bolts (B1) need to be placed prior to installing winch. Use nuts (B2) to temporarily secure carriage bolts while installing winch. See figure 2.



**Figure 2**

5. Install winch to mount (A1) . See figure 3.

**NOTE:** Mounting hardware is included in winch kit..



**Figure 3**

## INSTALLATION INSTRUCTIONS

6. Position winch mount assembly to vehicle frame.
7. Loosely install fasteners.
8. Remove top inner sway bar fasteners.

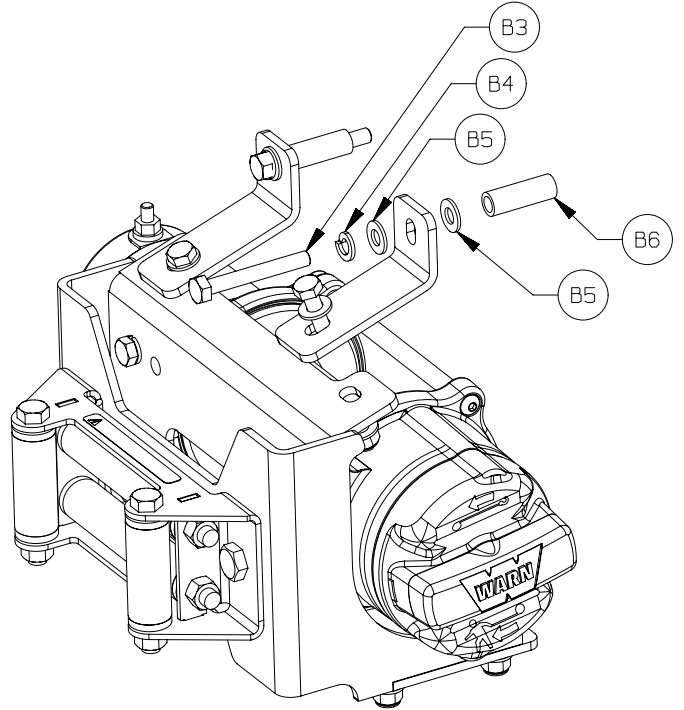


Figure 4

9. Loosely install top fasteners in orientation shown using fasteners (B3, B4, B5) and spacer (B6). See figure 5.
10. Loosely install lower strap fasteners (B7, B5, B2).
11. Tighten all fasteners.
12. Re-install grill insert removed in step 1.



Figure 5

### **⚠ WARNING**

READ THE VEHICLE'S OPERATOR MANUAL, WINCH OPERATOR MANUAL, AND ALL WARNING LABELS PRIOR TO OPERATION OF UTV AND WINCH.

### **⚠ WARNING**

FAILURE TO SECURELY TIGHTEN ALL BOLTS ON THE WINCH PLATE, WINCH, AND FAIRLEAD CAN RESULT IN PRODUCT FAILURE WHICH MAY RESULT IN VEHICLE DAMAGE AND OPERATOR INJURY OR DEATH. DOUBLE CHECK THAT ALL BOLTS ARE SECURELY TIGHTENED PRIOR TO USE.

THE WINCH MOUNTING PLATE INSTALLATION IS NOW COMPLETE.

- Wire winch according to instructions found in winch kit.

PROCEED TO SECTION TITLED "MAINTENANCE/CARE".

## MAINTENANCE / CARE

1. Inspect all parts on the winch, winch mount, and related hardware prior to each use. Replace all hardware that appears rusted or deformed.
2. Inspect all nuts and bolts on the winch, winch mount, and related hardware prior to each use. Tighten all nuts that appear to be loose. Stripped, fractured, or bent bolts or nuts need to be replaced.
3. Check all cables prior to use. Replace cables that look worn or frayed.
4. Check all moving or rotating parts. Remove debris that may inhibit the part from moving freely.

### **WARNING**

PERFORM REGULAR INSPECTIONS ON THE WINCH, WINCH MOUNT, AND RELATED HARDWARE. NEVER OPERATE THE WINCH WITH DAMAGED OR MISSING PARTS. FAILURE TO FOLLOW THIS WARNING MAY CAUSE VEHICLE DAMAGE AND OPERATOR INJURY OR DEATH.

**CARELESS INSTALLATION AND OPERATION CAN RESULT IN SERIOUS INJURY OR EQUIPMENT DAMAGE. READ AND UNDERSTAND ALL SAFETY PRECAUTIONS AND OPERATING INSTRUCTIONS BEFORE INSTALLING AND OPERATING THIS PRODUCT.**

